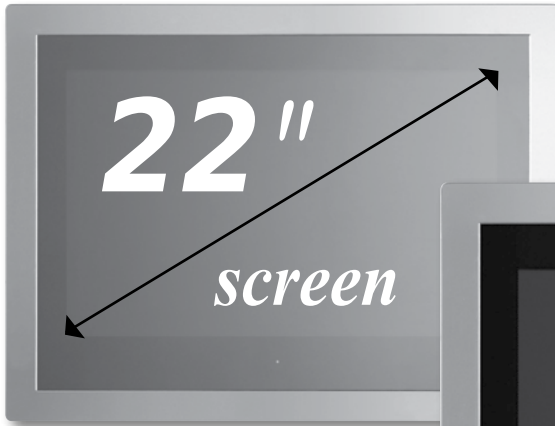


the bathroom television

TILEVISION®



mirror finish



black finish



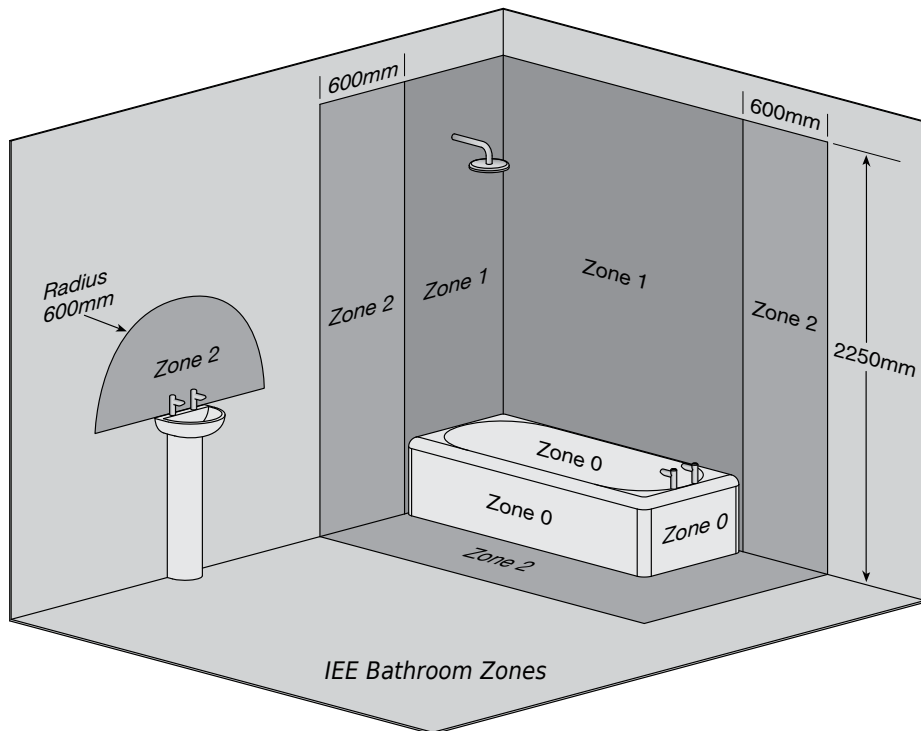
TILEVISION
LEARNING REMOTE
CONTROL



CAUTION: RISK OF ELECTRIC SHOCK DO NOT OPEN

WARNING: TO PREVENT INJURY, THIS APPARATUS MUST BE SECURELY ATTACHED TO THE WALL IN ACCORDANCE WITH THE INSTALLATION INSTRUCTIONS.

CAUTION: DO NOT REMOVE COVER. NO USER-SERVICEABLE PARTS INSIDE. REFER SERVICING TO QUALIFIED SERVICE PERSONNEL. BEWARE OF STATIC SENSITIVE PARTS.



This equipment has an IP65 rating and is suitable for use in Zone 1 and Outside Zones.



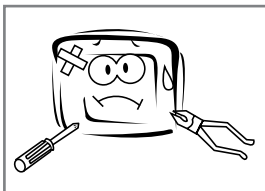
Waste Electrical and Electronic Equipment (WEEE) Directive

In the European Union, this symbol indicates that this product should not be disposed of with household waste. It should be deposited at an appropriate facility to enable recovery and recycling.

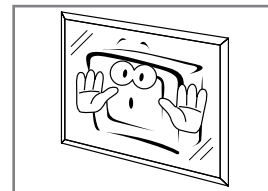


This product contains Electrical/Electronic Parts which are produced using components in compliance with the requirements of: European Union Directive **2002/195/EC** for the Restriction of the use of certain Hazardous Substances in Electrical and Electronics Equipment (RoHS).

Safety Instructions and Warnings



Do not attempt to service the unit.
Contact an authorised dealer or repair service.



Do not add an additional screen or cover the TileVision's glass.
The heated screen prevents condensation forming in steamy rooms and covering the screen may cause the unit to overheat.

Record important information

TileVision Model TV/_____ Serial Number _____ Date of Purchase ___/___/20___

Purchased from _____

Check the contents of each box is correct

Contents first fix kit page 4

Contents second fix kit page 5

If any items are missing, contact the dealer that supplied the TileVision®.

To prevent injury, the TileVision® must be securely attached to the wall in accordance with the installation instructions.

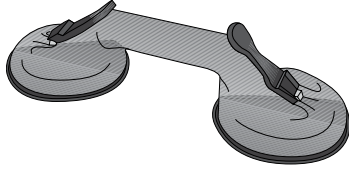
The power supply must be connected to a mains socket outlet with a protective earth connection.

The mains isolation switch must remain readily operable.

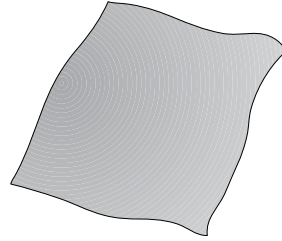
Failure to observe the above safety warnings may invalidate the warranty.

All electrical installation should be carried out by a fully qualified electrician.

Tools Required



Suction Lifter



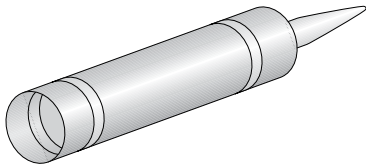
Soft Cloth



Isopropyl Alcohol

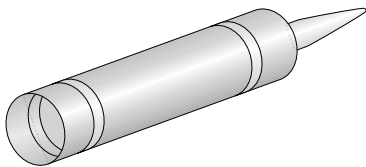
☞ **Isopropyl alcohol is available from most pharmacies and larger electronics wholesalers.**

Observe the safety precautions on the container.



Clear Silicone Sealant

☞ **Observe the safety precautions on the container.**



Mirror Adhesive

☞ **Observe the safety precautions on the container.**

Use a mirror adhesive to fix the mirrored acrylic surround.

Table of Contents

Safety Instructions and Warnings	1
Tools Required	2
Contents - First Fix Kit	4
Contents - Second Fix Kit	5
First fix kit - Initial Assembly.....	6
Recess Dimensions	7
First Fix Kit - Installing the Back Box.....	7
First Fix Cabling	8
Checking The Back Box	10
The Common Interface (CI) Port	10
Sky™ Remote Control Link Set Up	11
Installing the TileVision® - Initial Connections	12
USB Memory Stick (Flash Drive)	12
TileVision® Connectors	13
The IR Link, RJ12 and RS-232 Connectors	17
The Splashproof Remote Control - Fitting the Battery	18
Installing the TileVision® - Initial Set Up and Tuning	19
Installing the TileVision® - Sealing	20
The Splashproof Remote Control	21
The Standard Remote Control	22
Switching the TileVision® On/Off	23
Selecting the On-screen Language	23
Selecting a Source	24
Logical Channel Numbering (LCN)	24
Tuning	25
Programme Edit	28
Blue Screen	30
Signal Information	30
CI Information	30
Changing Channels	31
On Screen Display - Time	32
On Screen Display - Language	32
Programme Information	33
The Electronic Programme Guide (EPG)	34
PVR File System	35
The Electronic Programme Guide (EPG) Timer Recording	36
Timer Recording / Reminder Schedule	38
Programme Reminders	38
Recording the Current Programme	38
The Personal Video Recorder (PVR) List	39
Time Shift Recording	39
Picture Settings	40
Audio Languages	43
Subtitles	45
Sound Settings	46
Time Functions	49
Lock System / Parental Control	52
Hotel Mode	54
DTV Text / ATV Teletext	57
Digital Media Player	59
Reset (Restore Default)	60
First Time Installation	60
Remote Control - How to Control a Device	61
Remote Control - Entering a Brand Code	61
Remote Control - Programming a Button	64
Remote Control - Troubleshooting	65
TileVision - Troubleshooting	66
Specifications	67

Contents - First Fix Kit



- 1 *Stainless steel back box with mounting brackets and captive earthing straps.*

Ten machine screws to fasten the mounting brackets to the back box are also included.

Note: only eight machine screws are required for the 22" TileVision®.



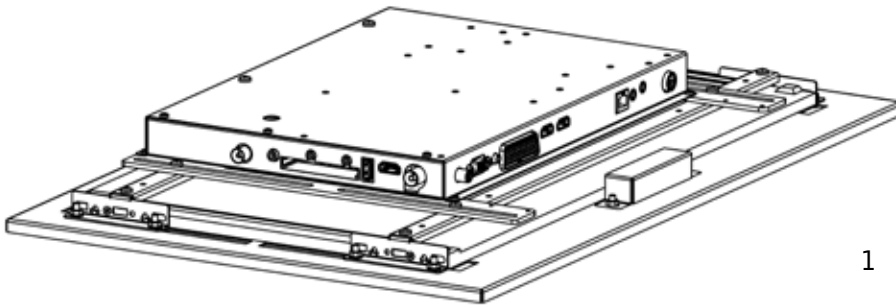
- 2 *AC to DC power supply with 4 metres of cable and a mains lead complete with a UK 3-pin plug.*



- 3 *One ceiling/wall mount water resistant stereo speaker with speaker grille and 4.5 metres of 4-core colour coded cable.*

If any items are missing, contact the dealer that supplied the TileVision®.

Contents - Second Fix Kit



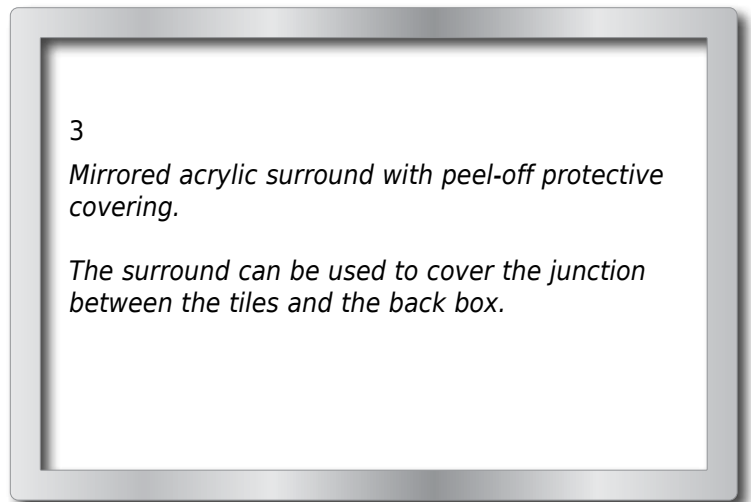
1



TileVision® screen assembly with four Velcro self-adhesive strips to secure the unit into the back box before the TileVision® is sealed in place with silicone sealant (not supplied).

2 *Comprehensive installation and operating instructions*

If any items are missing, contact the dealer that supplied the TileVision®.



3

Mirrored acrylic surround with peel-off protective covering.

The surround can be used to cover the junction between the tiles and the back box.



4 *Splashproof universal learning remote control with 3 V lithium cell ready installed. An insulating disc must be removed to activate the remote control.*

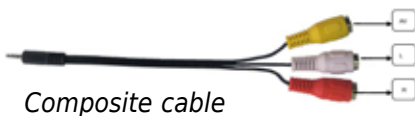


5 *Standard full-function remote control with AAA batteries (not waterproof).*



6 *Transparent self-adhesive remote control holder.*

7



Composite cable

8



Component cable

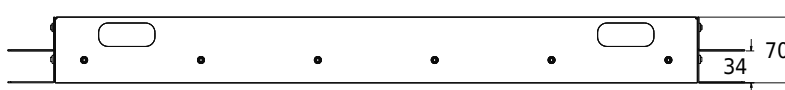
First Fix Kit - Initial Assembly

Please note - **A technically competent person should carry out the installation of your TileVision® unit.**

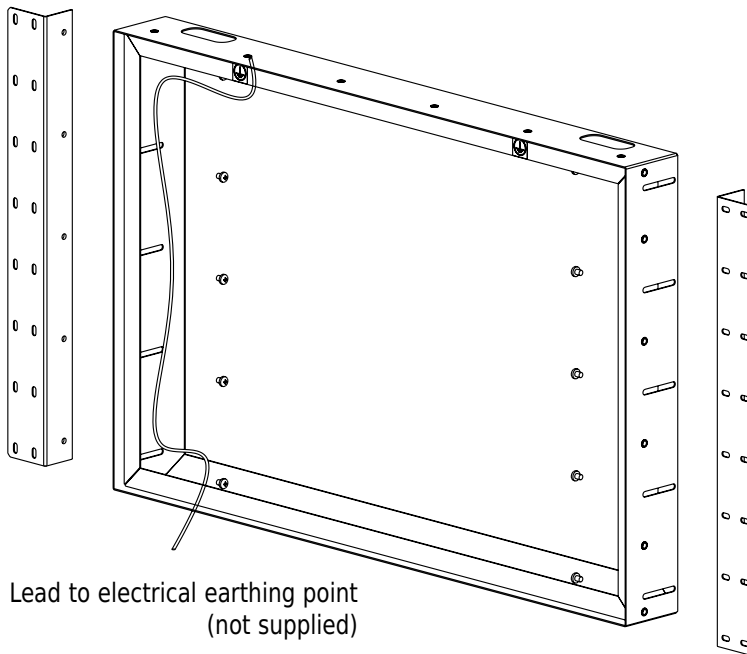
Unpacking your TileVision®

Within the back box there are two right-angled brackets and fixing screws. Screw the brackets to the outside of the back box but be aware these will need to be loosened to allow adjustment of the back box when fitted into the wall.

As shown below, the brackets allow 34 mm of forwards/backwards adjustment so that the front of the back box can fit flush with the tiled surface. Any additional adjustment needed to ensure the front of the back box is flush with the tiles should be considered before fitting the back box.



The range of adjustment available with the back box brackets



Lead to electrical earthing point
(not supplied)

The qualified electrical installer must use one of the earthing screws as an earth point to earth the unit to ground.

The lead used must be terminated with a ring terminal, which, together with the earthing cable's ring terminal, is fastened using the supplied locking washer and screw.

Recess Dimensions

22" TileVision[®]

590mm x 381mm x 75mm depth
from the front face of the tiles.

First Fix Kit - Installing the Back Box

Installation and positioning

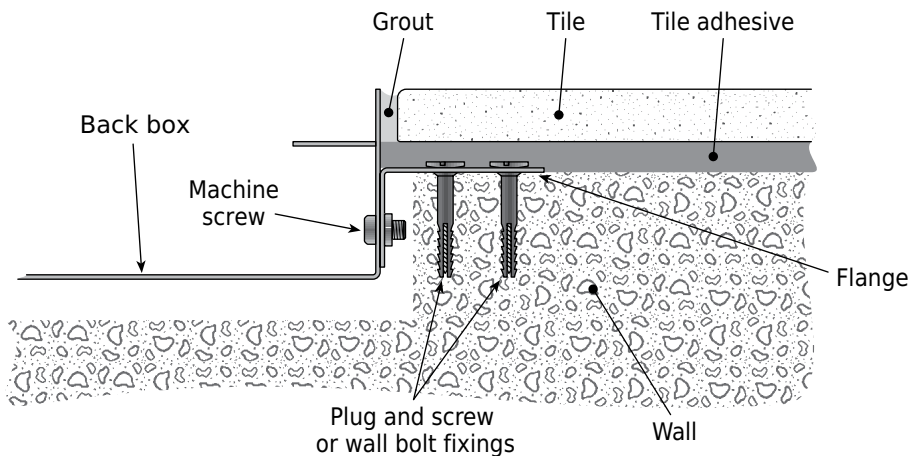
Cut the required recess, with the depth measured from the front face of the tiles.

Fit the back box into the wall ensuring that the earth leads are at the top.

To adjust the position of the back box loosen the screws, which attach the left and right hand brackets to the back box, these screws are located each side within the back box. Ensure that you do not fully unscrew the fasteners to avoid detaching the brackets from the back box.

Adjust the alignment of back box making sure the front edge of the back box sits flush with the front face of the tiles.

Secure all screws to lock the back box into position.



Example of a back box installed in a 'solid' wall

Note: Removal of the front glass requires a force of 300 Kg when using a glass suction lifter. The box must be secured to the wall so that it is able to withstand the pulling force.

First Fix Kit - Cabling

Please note - **All electrical installation should be carried out by a fully qualified electrician and all fire & safety regulations must be obeyed.**

Power Requirement (Mains)

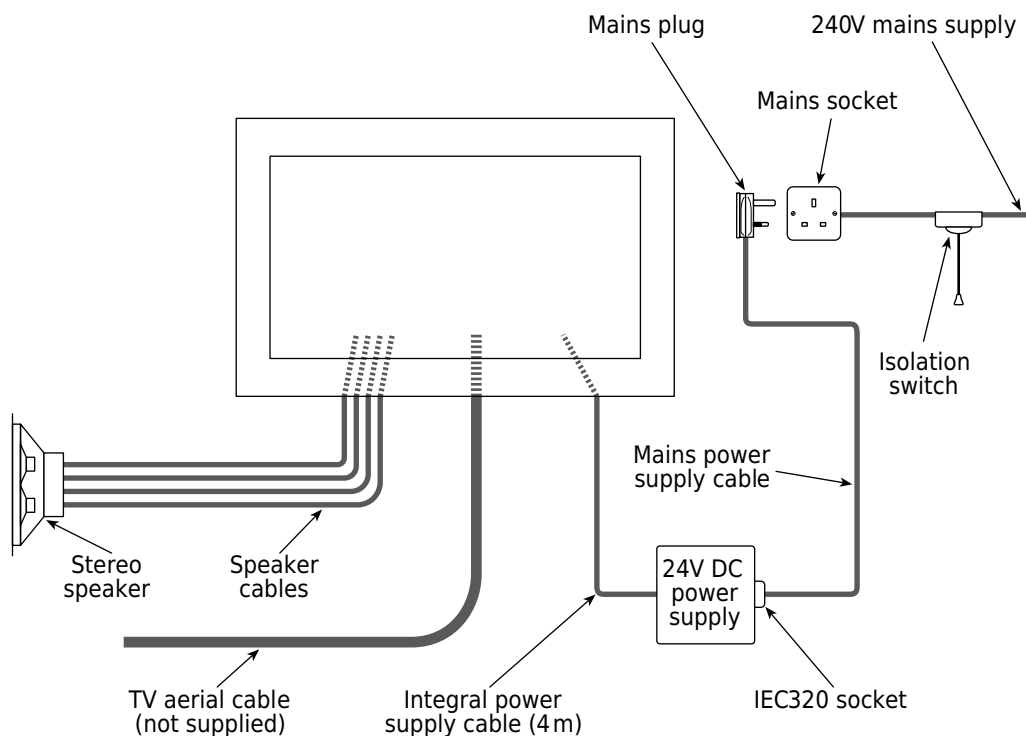
TileVision® requires a 13 amp socket outlet connected to a 240 V mains supply via a readily accessible isolation switch. This electrical installation must include an all-pole switch with a contact separation of at least 3 mm in each pole. Both the socket and the isolation switch must conform to the latest safety specification and be protected via an RCCD device or similar. This socket must be fitted in a dry area, away from any moisture (usually in the ceiling). The mains plug must be fitted with a 10 amp fuse..

TileVision® Power Supply (24 V)

The 24 V power supply unit is not waterproof and so must be positioned in a dry, well-ventilated area away from any water or moisture. It is fitted with an integral 4 metre lead to feed the TileVision®. This lead must not be cut, shortened or lengthened - this could potentially damage the power supply unit and the TileVision® and have implications regarding safety.

Ensure the remote isolation switch is off and connect the power supply mains lead to the 24 V power supply unit. Connect the mains plug in to the mains socket.

Feed the cable from the power supply unit in to the back box. Make sure there is approximately 400 mm of slack at this end of the cable.



First Fix Kit - Cabling

Please note - **All required cabling for additional inputs must be installed during the installation of the back box.**

TV Aerial Feed

Pass the aerial lead in to the back box and leave approximately 400 mm of lead loose in the back box. Terminate the aerial lead with a standard 75 Ω coax termination.

A TV Distribution Amplifier may be required if you are in an area of weak signal or if other televisions are already being fed from the aerial. If in doubt, consult a qualified aerial technician.

If the TileVision® is to be used with a Sky™ digital receiver which has two RF outputs, the channel can be changed on the Sky™ receiver using the TileVision® learning remote control via the TileVision®. To use this facility install a good quality coaxial cable that runs directly from the RF2 outlet of the Sky receiver, or from the outlet of a Remote-Link amp, in a continuous uninterrupted run.

The TileVision® will accept additional inputs from many sources and can be integrated with home automation and interactive hotel TV systems. See pages 14 to 18 for specific information.

Installing the supplied single stereo speaker

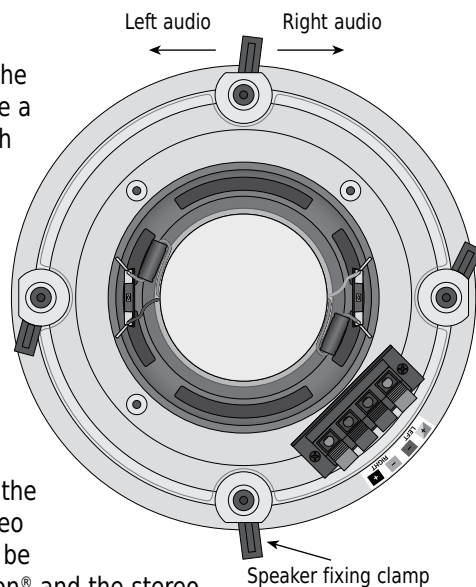
To fit the speaker cut a single 208 mm diameter hole in the ceiling using the template supplied. Position the template a minimum of 16 mm from any joists. Do not cut through any joists, cables or pipes, etc.

A four and a half metre length of four core speaker cable is supplied with the speaker. Feed one end of the speaker cable in to the back box, leaving 400 mm of cable protruding in to the back box. The cable should then be run from the TileVision® back box to the position of the speaker leaving any surplus cable in the ceiling space.

The speaker terminals on the TileVision® and on the stereo speaker are colour coded to match the colours of the supplied four core speaker cable. To ensure that the stereo speaker is connected correctly the individual leads must be connected to their matching colours on both the TileVision® and the stereo speaker.

To connect the speaker cable to the ceiling speaker lift one of the lugs to open a terminal and insert the appropriately coloured conductor. After releasing the lug give the lead a slight pull to make sure that the lead is gripped correctly. Connect all of the leads in the same manner.

Loosen all four screws by turning them counter clockwise until the clamps can move freely. Do not remove the screws. Install the speaker in to the precut hole and orientate the speaker so left audio will be heard on the left and right audio heard on the right. Turn the clamp screws clockwise until they are tightened and the speaker is held firmly. Insert the speaker grille by gently pressing it into place. The grille will fit tightly without causing any vibration.

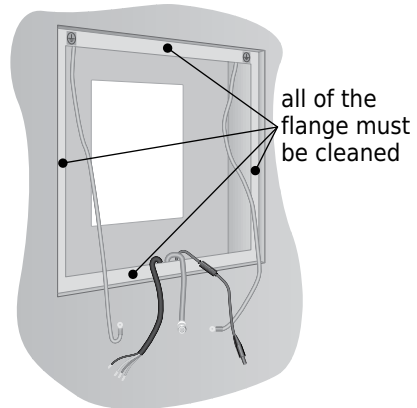


Checking the Back Box

Checking the back box prior to installation

Before commencing installation of the TileVision® make sure that all of the required input cables are present within the back box.

It is important to ensure that the flange inside the back box is thoroughly cleaned using isopropyl alcohol and allowed to dry.



The Common Interface (CI) Port

If a Conditional Access Module (CAM) is being used to add channels to the TileVision® the CAM should be inserted into the CI Port of TileVision® **with the power disconnected**.

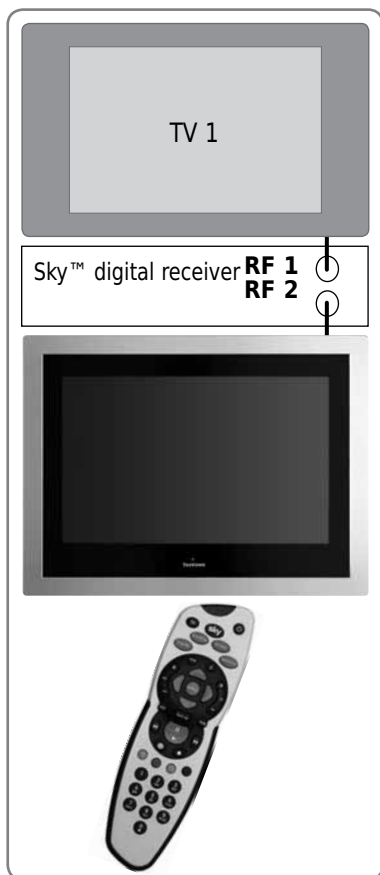
Take a note of the Smart Card's serial number and follow the CAM/Smart Card manufacturer's instructions to insert the Smart Card into the CAM and access the service.



The Smart Card must be activated in accordance with its service provider's instructions before installation is completed and the TileVision® is sealed.

Sky™ Remote Control Link Setup

If the TileVision® is used with a Sky™ receiver, the channel can be changed on the Sky™ receiver using the Sky™ remote control via the remote sensor on the TileVision®.



To set up the TileVision remote control to operate the Sky™ receiver see page 62 (Entering a Brand Code).

Preparation to use this facility should have been completed during the installation of the first fix assembly (see page 9).

It is advisable to setup the Sky™ receiver so that it can be controlled via the TileVision® before the TileVision® is installed. The red LED on the TV Link (that is fixed to the TileVision®) will light when correctly connected to and powered by the Sky™ receiver. This is checked when connecting the aerial lead to the TileVision®.

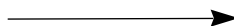
The connection to the Antenna/RF connectors on the TileVision® and the Sky™ receiver must be made with both the TileVision® and the Sky™ receiver disconnected from the mains supply. Use good quality coax cable either directly from the RF2 outlet of the receiver or the outlet of a Remote-Link amp in an uninterrupted run .

Once the connections have been made, the Sky™ receiver must be setup to supply power to the RF2 socket as detailed below.

To set-up the Sky™ receiver to work with the TileVision® the Sky™ remote control must be used via the main TV (TV 1).

- 1 On the Sky™ remote control press **SERVICES** to show the SERVICES menu.
- 2 Press the **4** button for the SYSTEM SETUP menu.
- 3 Press the **0** button, then the **1** button, then the **select** button, in sequence, to display the INSTALLER SETUP menu.
- 4 Press the **4** button to select RF OUTLETS.
- 5 Press the **down** arrow to select RF Outlet Power Supply and press the **left** or **right** arrows to change the setting to ON.
- 6 Press the **down** arrow to select Save New Settings and press **select** to save the settings.
- 7 Press the **sky** button to return to the previously viewed channel.

Red LED indicator will light when power is received from the Sky™ RF2 outlet



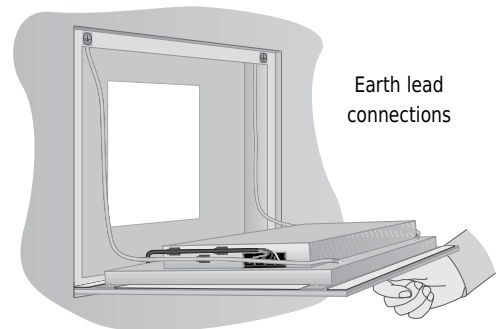
Installing the TileVision® - Initial Connections

Note: All connections should be made with the remote isolation switch for the TileVision® set to OFF.

Earthing Points

Introduce the lower front edge of the unit into the back box and fit the earth cables to the two earthing screws as indicated by the green labels on the rear of the TileVision®.

The earth cables are electrical connections and **must not** be used to support the weight of the TileVision®.



Power Socket

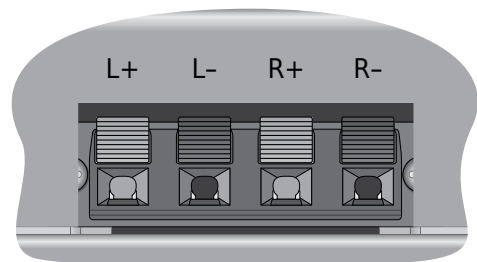
The Power connector is located at the extreme left of the base connector array.

Speaker Connections

The supplied stereo speaker should be connected after the earthing straps are connected to the rear of the TileVision® as detailed above.

The speaker terminals on the TileVision® and on the stereo speaker are marked with coloured dots which match the colours of the supplied four-core speaker cable. To ensure that the stereo speaker is connected correctly the individual leads should be connected to their matching colours on both the TileVision® and the stereo speaker.

The speaker connection block is found on the left of the rear of the TileVision®. Lift one of the lugs, push one conductor of the speaker lead into the connector, release the lug and give the lead a slight pull to make sure that it is gripped correctly. The other wires should be connected in the same way.



The speaker connection block

If two separate speakers and alternative speaker cables are being used, the conductor with the stripe should be connected to the negative terminal (L- or R-) and the plain conductor should be connected to the corresponding positive terminal (L+ or R+). The connections to the speakers terminals should be made in the same way - striped conductor to the negative terminal and plain conductor to the positive terminal.

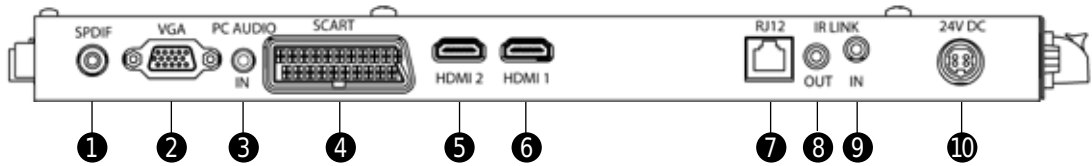
USB Memory Stick (Flash Drive)

If the timer recording, time shift recording functions, or the digital media player is to be used, a USB memory stick (flash drive) must be installed.

TileVision® Connectors

All connections must be made before sealing the TileVision® into the back box.

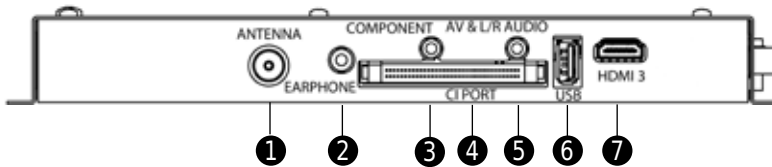
Base Connector Array



- | | |
|---|---|
| ① SPDIF Out | ⑥ HDMI 1 (High Definition Multimedia Interface) |
| ② VGA Input (D-SUB) | ⑦ RJ12 - for Hotel TV System Integration |
| ③ PC Audio In | ⑧ Infrared Link - Out |
| ④ EURO-SCART | ⑨ Infrared Link - In |
| ⑤ HDMI 2 (High Definition Multimedia Interface) | ⑩ DC 24V Power In |

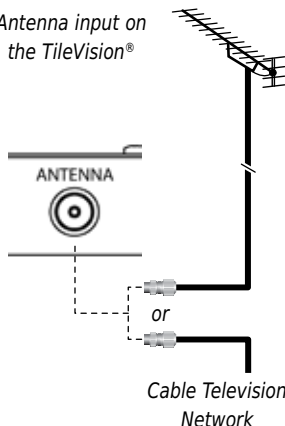
Side Connector Array

5



- | | |
|---|--|
| ① Antenna Input 75 Ω | ⑤ Composite Video Input (CVBS), Left & Right Audio Input |
| ② Audio Out (headphones) | ⑥ USB (Memory Stick / Flash Drive) |
| ③ Component Video Input (Y, Pb (Cb), Pr (Cr)) | ⑦ HDMI 3 (High Definition Multimedia Interface) |
| ④ CI Port for Conditional Access Module (CAM) | |

Antenna input on the TileVision®



To view television channels correctly, a signal must be received by the TileVision® from one of the following sources:

- an outdoor antenna
- a cable television system
- a satellite receiver.

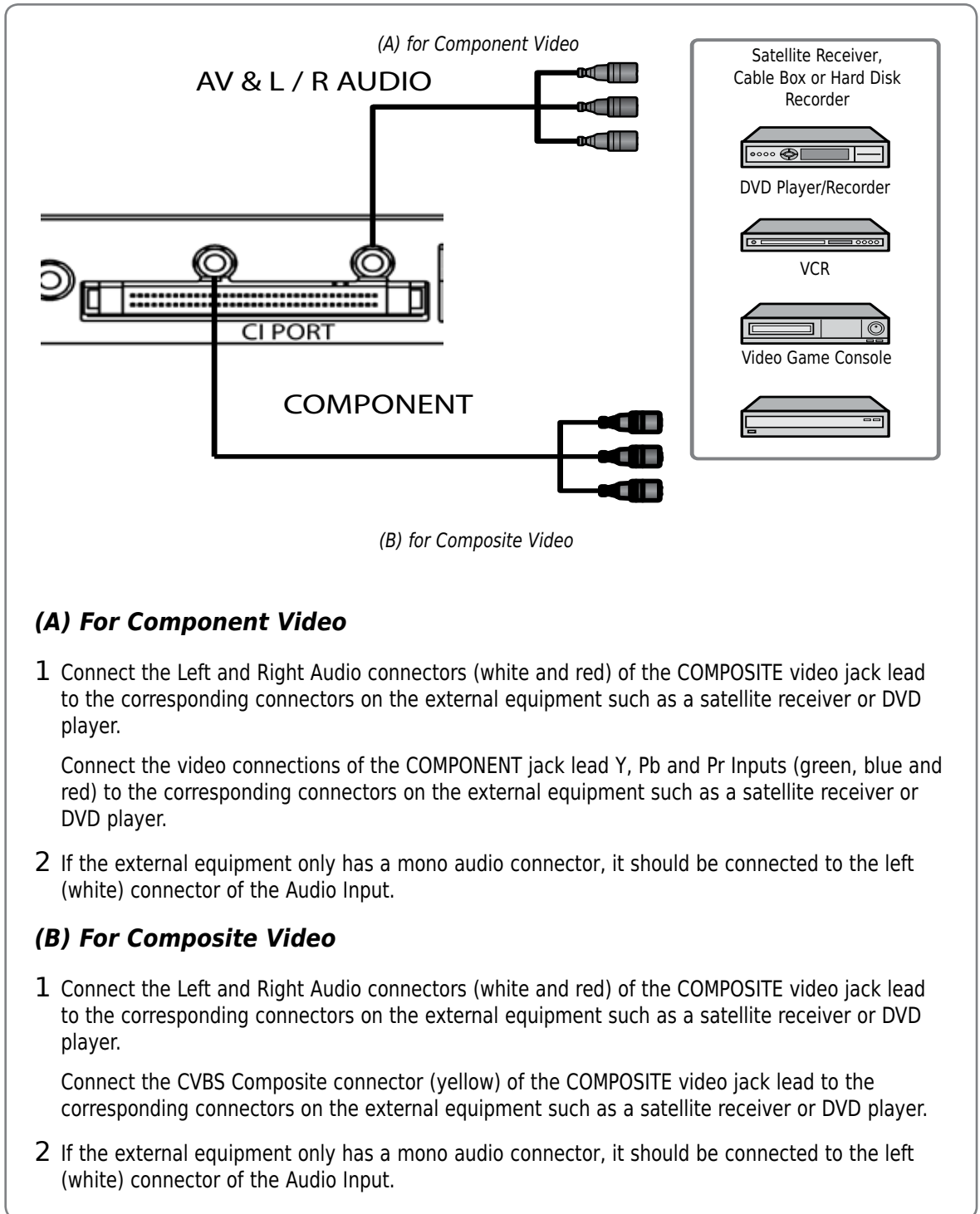
Antenna Feed

Connect the antenna or input cable to the 75Ω coaxial connector on the rear of the TileVision®.

Picture quality is determined by the signal level, it is recommended that a qualified aerial technician is consulted.

The Component and Composite Video Connectors

All connections must be made before sealing the TileVision® into the back box.



(A) For Component Video

- 1 Connect the Left and Right Audio connectors (white and red) of the COMPOSITE video jack lead to the corresponding connectors on the external equipment such as a satellite receiver or DVD player.

Connect the video connections of the COMPONENT jack lead Y, Pb and Pr Inputs (green, blue and red) to the corresponding connectors on the external equipment such as a satellite receiver or DVD player.

- 2 If the external equipment only has a mono audio connector, it should be connected to the left (white) connector of the Audio Input.

(B) For Composite Video

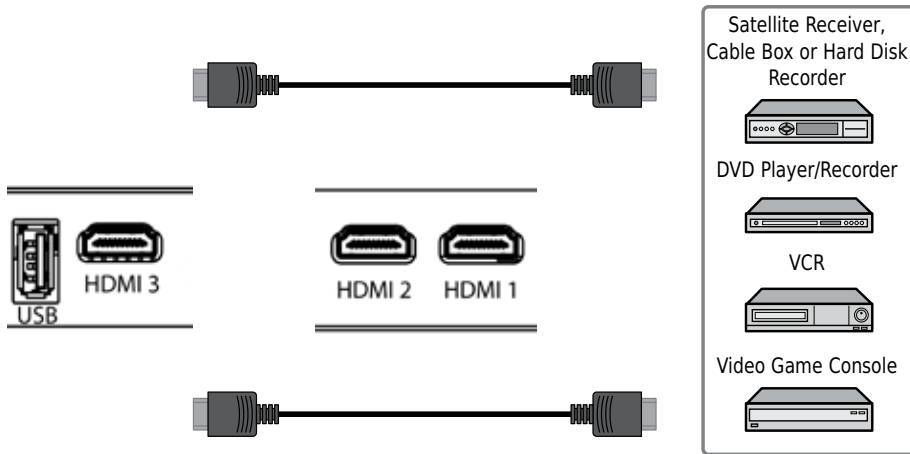
- 1 Connect the Left and Right Audio connectors (white and red) of the COMPOSITE video jack lead to the corresponding connectors on the external equipment such as a satellite receiver or DVD player.

Connect the CVBS Composite connector (yellow) of the COMPOSITE video jack lead to the corresponding connectors on the external equipment such as a satellite receiver or DVD player.

- 2 If the external equipment only has a mono audio connector, it should be connected to the left (white) connector of the Audio Input.

The HDMI and S-VIDEO Connectors

All connections must be made before sealing the TileVision® into the back box.

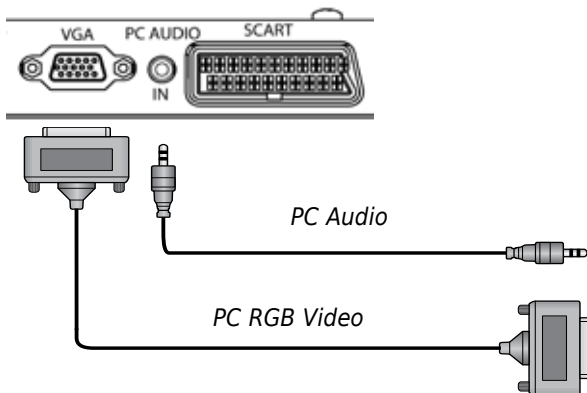


HDMI Connections

Connect the HDMI cable to the HDMI connection on the TileVision® and the HDMI connection on the external equipment such as a satellite receiver or DVD/Blue-ray player.

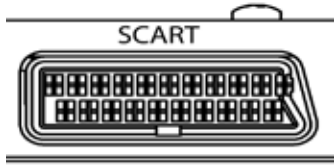
PC Connections

To use PC RGB, connect the PC RGB connector of the TileVision® to the PC's RGB connector and connect the PC Audio In connector on the TileVision® to the PC's audio out connector.



The SCART Connector

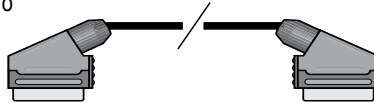
All connections must be made before sealing the TileVision® into the back box.



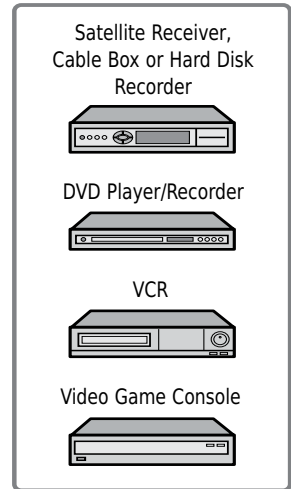
SCART Connection Reference

Pin	Name	Description
1	AOR	Audio Out Right
2	AIR	Audio In Right
3	AOL	Audio Out Left + Mono
4	AGND	Audio Ground
5	BGND	RGB Blue Ground
6	AIL	Audio In Left + Mono
7	B	RGB Blue
8	SWTCH	Audio, RGB switch, 16:9
9	GGND	RGB Green Ground
10	CLKOUT	Clock Out
11	G	RGB Green
12	DATA	Data Out
13	RGND	RGB Red Ground
14	DATAGND	Data Ground
15	R	RGB Red
16	BLNK	Blanking Signal
17	VGND	Composite Video Ground
18	BLNKGND	Blanking Signal Ground
19	VOUT	Composite Video Out
20	VIN	Composite Video In
21	SHIELD	Chassis Ground, Cable Shield

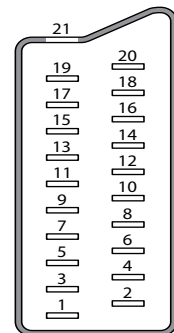
(A) SCART to SCART connector
(RGB Video + Audio L/R or
Composite Video + Audio L/R)



(B) SCART to RCA connectors
(Composite Video + Audio L/R)



SCART Pinouts
(solder side view)



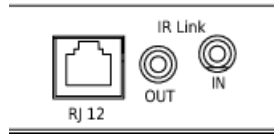
The EURO-SCART connector can be used with equipment which has RGB or composite video inputs and outputs. A VCR, satellite or cable receiver, DVD player, or video game console should be connected using the EURO-SCART connection.

The EURO-SCART socket is fully wired as shown above.

The audio output from the EURO-SCART can be connected to a separate amplifier to allow integration with a multi-room audio video system. This should be carried out by a qualified engineer.

The IR Link, RJ12 and RS-232 Connectors

All connections must be made before sealing the TileVision® into the back box.



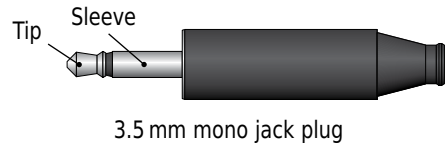
IR Link Out

The IR Link Out is a 3.5 mm mono jack socket. The IR signal sensed by the TileVision® is outputted from this socket to an IR emitter. This will enable the remote control of external equipment, such as a DVD player, from the TileVision®.

IR Link Out Connections - IR Emitter

IR emitter LED positive terminal to the Tip.

IR emitter LED negative terminal to the Sleeve.



3.5 mm mono jack plug

IR Link In

The IR Link In is a 3.5 mm stereo jack socket. This socket allows an auxiliary IR sensor to be connected to the TileVision® to enable remote control of the TileVision® from a different point other than the front of the TileVision®.

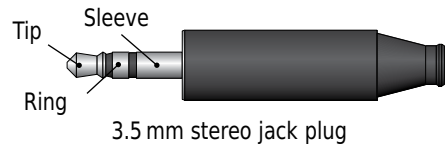
IR Link In Connections - IR Receiver

The TileVision® interface will supply +5v DC to power the IR sensor.

IR sensor +5v DC terminal to the Tip.

IR sensor signal output terminal to the Ring.

IR sensor negative terminal to the Sleeve.

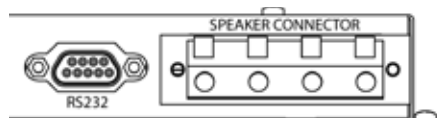


3.5 mm stereo jack plug

RJ12 Connector

This connector is for Hotel TV System Integration. The RJ12 allows command codes to pass to and from the TileVision®. The RJ12 pin assignment is internally configurable, to allow the connection of various Hotel TV Systems.

RS232 Port



The RS232 control port enables the TileVision® to be controlled from a home automation control system.

For detailed information on the IR Link, RJ12 and RS-232 connections and the relevant control signals see the TileVision® Interface Connections pdf on the TileVision® web site (www.tilevision.tv - support - user support).

The Splashproof Remote Control

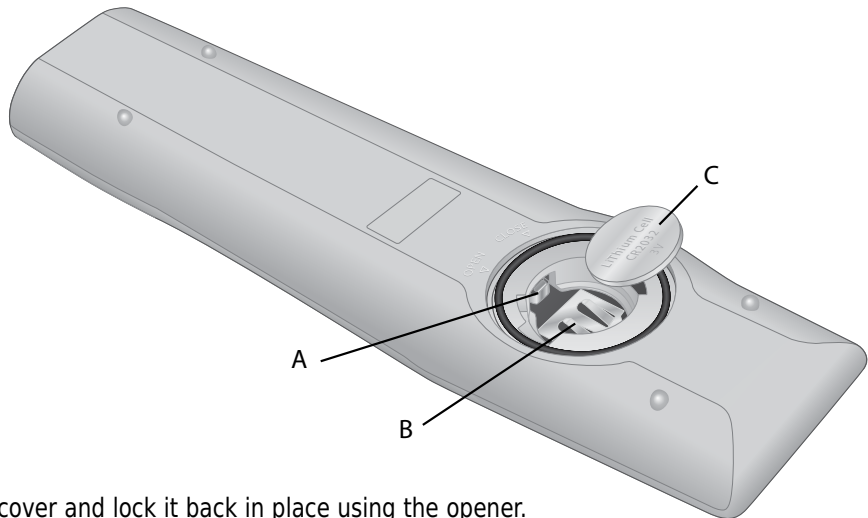
Before the splashproof remote control can be used the insulating plastic film must be removed from beneath the battery.

Place the remote control face down on a horizontal flat surface and use the opener to release the battery compartment cover by rotating it in an anti-clockwise direction. Set the battery cover and opener to one side. Remove the battery and the insulating plastic film.

Try to avoid touching the black O-ring as it is coated in light grease.

- A. Gently pull forward the small battery terminal.
- B. Gently raise up both prongs.
- C. Push the battery flat in to the battery compartment, (with the positive (+) side upwards) so that it is in contact with both battery terminals for 5 seconds.

Remove the battery and insert the battery at an angle, so it rests on the battery terminal A.



Refit the battery cover and lock it back in place using the opener.

Wait 15 seconds before operating the remote control.

Replacing the Battery

Place the remote control face down on a horizontal flat surface and use the opener to release the battery compartment cover by rotating it in an anti-clockwise direction. Set the battery cover and opener to one side.

Carefully remove the old battery and dispose of it safely.

Observe the polarity.

Do not short circuit the battery.

The battery of remote control shall not be exposed to excessive heat such as sunshine, fire or the like.

Try to avoid touching the black O-ring as it is coated in light grease.

Insert the new CR2032 battery with the positive (+) side upwards. Replace the battery cover and lock it back in place using the opener.

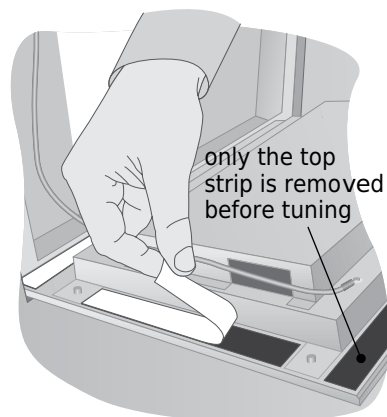
Installing the TileVision® - Set Up and Tuning

Ensure that the TileVision® does not get wet until it is fully sealed.

When the connections have been made as shown on pages 8 to 17 it is time to install the TileVision® into the back box.

Remove the soft adhesive protector from the top length of Velcro, and press the TileVision® into the back box. It may be found necessary to adjust the position of the cables in order to achieve a good fit.

The installation must comply with all relevant electrical safety regulations before the mains supply is turned on using the remote isolation switch. The TileVision® should now show a red indicator light showing that it is in standby mode. Ensure that the TileVision® does not get wet until it is fully sealed.



Initial Tuning

Press the **POWER** button on the remote control to switch the TileVision® on from standby. The LED indicator will show green and the OSD Language menu will be displayed within twenty seconds.

The on-screen menus can be in any of the following eleven languages: Dansk, Deutsch, English, Español, Français, Italiano, Magyar, Nederlands, Polski, Português, Slovenščina.

- 1 Press the ◀ ▶ buttons to select the required language.
- 2 Press the ▼ button to highlight Country.
- 3 Press the ◀ ▶ buttons to select the required Country.
- 4 Press the **OK** button to begin tuning.

On completion of tuning if DTV has been tuned the Target Region Setting menu will be displayed.

4a Press the ◀ ▶ select the required Country Code, Primary Region, Secondary Region and Tertiary Region.

4b Press the **OK** button to confirm selection and step down to the next option.

4c Repeat 4a & 4b.

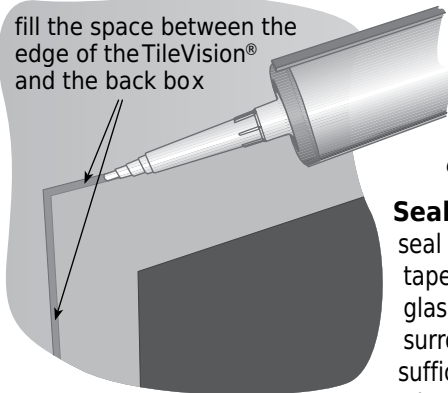
Installing the TileVision® - Sealing

Note: It is the installer's responsibility to ensure that the TileVision® is installed and sealed correctly, failure to do so will invalidate the guarantee.

Sealing the TileVision®

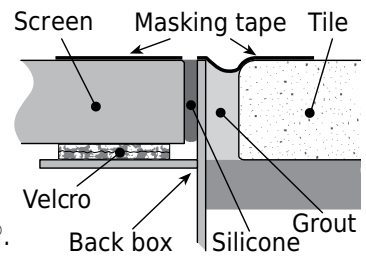
When correct function has been confirmed, switch the TileVision® to standby and set the isolation switch to off. Apply clear silicone sealant to the joint between the sides of the back box and the sides of the TileVision®. Ensure that the sealant is worked into the space evenly and is applied without any gaps, bubbles or voids. Wipe any excess sealant away and check for any imperfections. Rectify any errors as necessary.

fill the space between the edge of the TileVision® and the back box



This seal is essential for the reliable and safe operation of the TileVision® and must be completely waterproof.

Sealing Tip: To achieve a neat seal apply lengths of masking tape around the TileVision® glass screen and the surrounding tiles. Leave sufficient gap to apply the sealant around the joint between the sides of the back box and TileVision®.



Once the sealant has set and the masking tape removed the acrylic surround can be fitted as shown below.

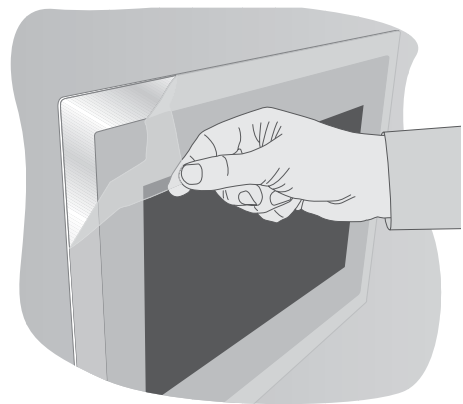
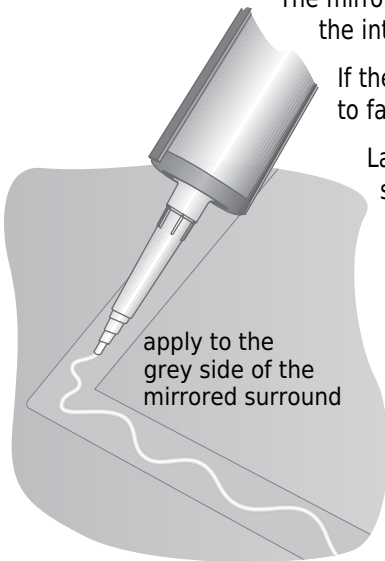
Fitting the mirrored acrylic surround

The mirrored acrylic surround is a cosmetic addition and has no bearing on the integrity of the waterproof seal of the TileVision®.

If the surround is being fitted to the TileVision®, use a mirror adhesive to fasten the surround to the wall.

Lay the surround on a flat surface and apply the mirror adhesive to the matt grey surface as shown. Once the mirror adhesive has been applied, align the surround with the TileVision® using a spirit level as a guide and press the surround firmly to the wall.

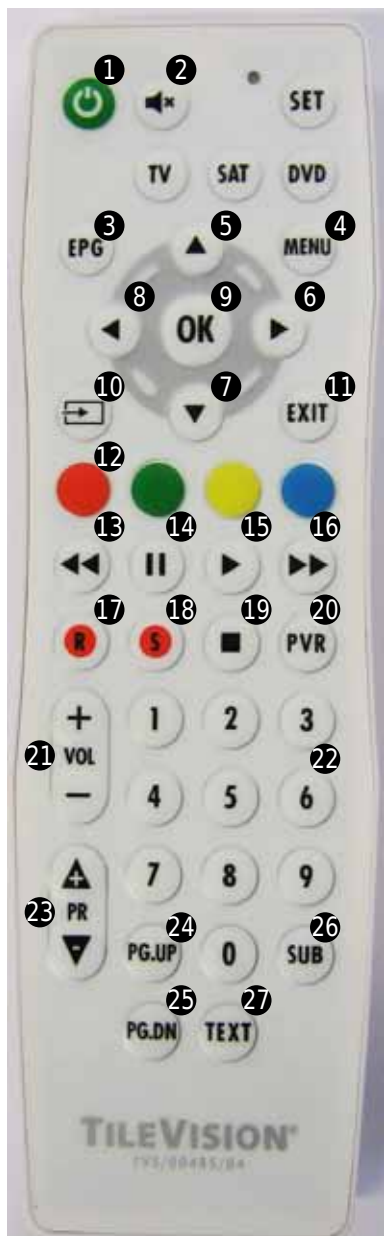
apply to the grey side of the mirrored surround



After the mirror adhesive has set the protective film can be removed from the front of the surround.

Cleaning Instructions To clean the glass and surround, use only a soft damp cloth. Under no circumstances are abrasive cleaners to be used, failure to observe this warning will invalidate the guarantee.

The Splashproof Remote Control



- 1 Power On/Off button
- 2 Mute button
- 3 Electronic Programme Guide (EPG) button
- 4 Menu button
- 5 Up navigation button
- 6 Right navigation button
- 7 Down navigation button
- 8 Left navigation button
- 9 OK button
- 10 Source button
- 11 Exit button
- 12 Colour and Teletext buttons
- 13 Fast Reverse button
- 14 Pause button
- 15 Play button
- 16 Fast Forward button
- 17 Record button
- 18 Timeshift button
- 19 Stop button
- 20 Personal Video Recorder (PVR) button
- 21 Volume Up / Down buttons
- 22 Number buttons
- 23 Channel Up / Down buttons
- 24 Page Up button
- 25 Page Down button
- 26 Subtitles button
- 27 Text button

Make sure there are no objects between the remote control and the TileVision®.

Do not place the remote control near a heater.

A strong blow to the remote control may cause it not to operate.

The Standard Remote Control

- 1 **POWER On/Off button**
- 2 **INFO button**
- 3 **Zoom buttons**
- 4 **Mute button**
- 5 **Picture Mode button**
- 6 **Sound Mode button**
- 7 **Sleep button**
- 8 **Favourite button**
- 9 **Personal Video Recorder (PVR) List / USB button**
- 10 **Previous Chapter button**
- 11 **Next Chapter button**
- 12 **Stop button**
- 13 **Record / Home button**
- 14 **Fast Reverse button**
- 15 **Fast Forward button**
- 16 **Play / Pause button**
- 17 **Exit button**
- 18 **Timeshift button**
- 19 **Up navigation button**
- 20 **Right navigation button**
- 21 **Down navigation button**
- 22 **Left navigation button**
- 23 **OK button**
- 24 **Menu button**
- 25 **Source button**
- 26 **Number buttons**
- 27 **Back button**
- 28 **Electronic Programme Guide (EPG) button**
- 29 **Volume Up / Down buttons**
- 30 **Sub.T / Sub.P button**
- 31 **AUDIO / MTS button**
- 32 **Page Up button**
- 33 **Page Down button**
- 34 **Channel Up / Down buttons**
- 35 **ECO button**
- 36 **LIST button**
- 37 - 42 **Teletext Control buttons**
- 43 **Colour and Teletext buttons**



The standard remote control is not waterproof and should not be splashed or immersed in water.

When installing or replacing the batteries:

Observe the polarity

Do not mix different battery types.

Do not short circuit the batteries.

The battery of remote control shall not be exposed to excessive heat such as sunshine, fire or the like.

Switching the TileVision® On/Off

Please allow a minimum of five seconds after switching the TileVision® off before switching it on again.

- 1 To switch the TileVision® on, press the **POWER** button.
The LED indicator will show green and TileVision® will display a picture within twenty seconds.
- 2 To switch the TileVision® to standby, press the **POWER** button again. The LED indicator will show red to indicate that the TileVision® is in standby mode

Selecting the On-screen Language

English is the preset language for the TileVision®. The language for on-screen menus can be selected during initial set-up or at any time in the future.

The on-screen menus can be in any of the following eleven languages: Dansk, Deutsch, English, Español, Français, Italiano, Magyar, Nederlands, Polski, Português, Slovenščina.

To change the language used follow the sequence below:

- 1 Press the **MENU** button.
- 2 Press the ◀ ▶ buttons to display the **SETUP** menu.
- 3 Press the ▲ ▼ button to highlight OSD Language.
- 4 Press the **OK** button to display the OSD Language selection menu.
- 5 Press the ◀ ▶ or ▲ ▼ buttons to highlight the required language.
- 6 Press the **OK** button to select the language.
- 7 Press the **MENU** button to close OSD Language selection menu.
- 8 Press the **EXIT** button to close the SETUP menu.

All the on-screen displays will now be in the chosen language.

The selected language applies to all modes.

Selecting a Source

If external sources have been connected to the TileVision® they may be viewed by selecting the appropriate input.

The Input Source list allows selection of the following: DTV (Digital Television), ATV (Analogue Television), AV, SCART, Component (Y, Pb, Pr), PC, HDMI 1, HDMI 2, HDMI 3, Media (Digital Media Player).

- 1 Press the **Input** button to display the Input Source list.
- 2 Press the **Input** button or the ▲ ▼ buttons until the required source is selected.



- 3 Press the **OK** button to confirm selection of the chosen input and to clear the Input Source list from the screen.

Press the **EXIT** button to close the Input Source list without selecting an alternative source.

LCN (Logical Channel Number) Sorting

The LCN option is only available when DTV is selected.

- 1 Press the **MENU** button to display **CHANNEL** menu.
- 2 Press the ▲ ▼ buttons to highlight **LCN SORTING**.
- 3 Press the **OK** button to toggle the setting between ON and OFF.
- 4 Press the **EXIT** button to close the CHANNEL menu.

Tuning the TileVision® DTV / ATV

If a Sky™ receiver is being used as a source it should be switched on before tuning the TileVision®. This will allow the TileVision® to tune to the Sky™ receiver correctly.

Select either DTV or ATV source see page 24

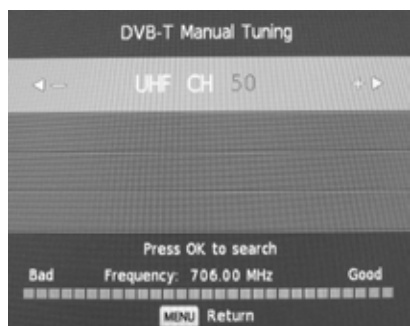
- 1 Press the **MENU** button to display **CHANNEL** menu.
- 2 Press the ▲ ▼ buttons to highlight **Auto Tuning**.
- 3 Press the **OK** button to display the Tuning Type menu.
- 4 Press the ◀ ▶ buttons to select DTV & ATV tuning, or DTV tuning only or ATV tuning only. Once selection has been made press the ▼ button.
- 5 Press the ▲ ▼ & ◀ ▶ buttons to highlight the required country.
- 6 Press the **OK** button to start Auto Tune.
On completion of tuning if DTV has been selected the Target Region Setting menu will be displayed.
 - 6a Press the ◀ ▶ select the required Country Code, Primary Region, Secondary Region and Tertiary Region.
 - 6b Press the **OK** button to confirm selection and step down to the next option.
 - 6c Repeat 6a & 6b
- 7 Press the **EXIT** button to close the CHANNEL menu.

DTV Manual Tuning

Digital Television Manual Tuning

- 1 Set the source input to DTV see page 24
- 2 Press the **MENU** button to display the **CHANNEL** menu.
- 3 Press the **▲ ▼** buttons to highlight **DVB-T Manual Tuning**.
- 4 Press the **OK** button to display the DVB-T Manual Tuning menu.
- 5 Select the required channel (UHF 21-69) with the **◀ ▶** buttons.

The DVB-T Manual Tuning menu will show if a signal is being received on the selected channel.



*Good Signal on the selected channel
OK to tune.*



*No Signal on the selected channel
Do not tune.*

- 6 If there is a signal on the required channel press the **OK** button to start tuning the stations on the selected channel.

The TileVision® will confirm that it is searching for channels.

After a short time the dialogue will show the number of DTV and Radio programmes that have been tuned.

When the dialogue clears, the newly tuned station with the lowest number will be shown.

To tune additional programmes repeat steps 1 to 6.

- 7 Press the **EXIT** button to close the DVB-T Manual Tuning menu.

ATV Manual Tuning

Analogue Television Manual Tuning

- 1 Set the source input to ATV see page 24
- 2 Press the **MENU** button to display the CHANNEL menu.
- 3 Press the **▲▼** button to highlight the **ATV Manual Tuning**.
- 4 Press the **OK** button to display the ATV Manual Tuning menu.
- 5 Use the **◀▶** buttons to select which programme to tune (Current Channel).
- 6 Press the **▲▼** button to highlight **Colour System**.
- 7 Use the **◀▶** buttons to select the Colour System (PAL, SECAM or AUTO).
- 8 Press the **▲▼** button to highlight **Sound System**.
- 9 Select a sound system with the **◀▶** buttons:

BG: Western Europe/Asia/Middle East/Africa/Australia

I: UK/Hong Kong/South Africa

DK: Russia/China/Eastern Europe

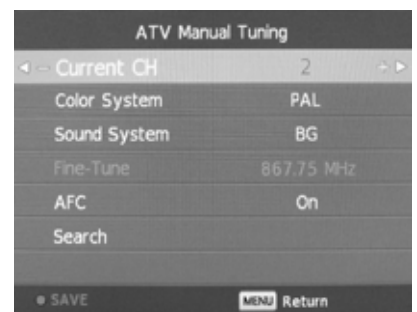
L: France.

- 10 Press the **▲▼** button to highlight **Search** and then press the **◀** or **▶** button to choose the search direction.

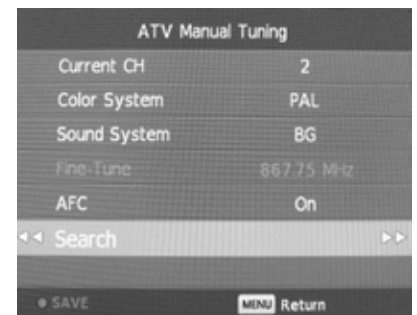
The search will stop when the next available station has been tuned. To tune an alternative station press the **◀** or **▶** button to continue searching.

If necessary highlight **AFC** (**▲▼**) and set to **OFF** (**◀▶**). Then highlight **Fine-Tune** (**▲▼**) and adjust the tuning with the **◀▶** buttons to improve the picture or sound.

- 11 Press the **Red** button to save the settings.
- 12 Press the **EXIT** button to close the ATV Manual Tuning menu.



The ATV Manual Tuning dialogue.



Programme Edit DTV

A deleted programme can only be restored by retuning the TileVision® using Auto or Manual Tuning. Setting SKIP for unwanted programmes is usually a better option.

Programme Edit allows programmes to be deleted, skipped or selected as favourites.

Deleted programmes are removed completely and are not available at all until the TileVision® is retuned using Auto or Manual Tuning.

Skipped programmes are not available by pressing the PR + or the PR - buttons but they can be selected from the EPG, the channel list or by entering a channel number directly.

Favourite programmes are included in the Favourite List which can be displayed by pressing the FAV button.

Programme Edit in DTV Mode

- 1 Select DTV input, refer to page 24.
- 2 Press the **MENU** button to display the **CHANNEL** menu.
- 3 Press the ▲ ▼ button to highlight **Programme Edit**
- 4 Press the **OK** button to display the Programme Edit menu.
- 5 Select a programme with the ▲ ▼ buttons.

5a To **DELETE** the programme completely and make it unavailable until the TileVision® is retuned, press the **RED** button. A confirmation box will be displayed, select YES (◀) to delete the programme, or NO (▶) to cancel the action.

5b To **SKIP** past the programme when using the **PR +** or **PR -** buttons, press the **BLUE** button. A **SKIP** symbol will appear next to the programme to indicate that it has been selected as skipped. To include a skipped programme when selecting programmes via the **PR +** or **PR -** buttons, press the **BLUE** button, the skip symbol will be removed.

5c To include the programme in the **FAVOURITES** list, press the **FAV** button. A **HEART** will appear next to the programme to indicate that it has been added to the favourites list. To remove a programme from the favourites list press the **FAV** button, the heart will be removed from the programme.

- 6 Press the **EXIT** button to close the Programme Edit menu.

Programme Edit ATV

A deleted programme can only be restored by retuning the TileVision® using Auto or Manual Tuning. Setting SKIP for unwanted programmes is usually a better option.

Programme Edit allows programmes to be deleted, skipped or selected as favourites.

Deleted programmes are removed completely and are not available at all until the TileVision® is retuned using Auto or Manual Tuning.

Skipped programmes are not available by pressing the PR + or the PR - buttons but they can be selected from the channel list or by entering a channel number directly.

Favourite programmes are included in the Favourite List which can be displayed by pressing the FAV button.

Programme Edit in ATV Mode

- 1 Select ATV input, refer to page 24.
- 2 Press the **MENU** button to display the **CHANNEL** menu.
- 3 Press the **▲ ▼** button to highlight **Programme Edit**
- 4 Press the **OK** button to display the PROGRAMME EDIT menu.
- 5 Select a channel with the **▲ ▼** buttons.
 - 5a To **DELETE** the programme completely and make it unavailable until the TileVision® is retuned, press the **RED** button. A confirmation box will be displayed, select YES (**◀**) to delete the programme, or NO (**▶**) to cancel the action.
 - 5b To **SKIP** past the programme when using the **PR +** or **PR -** buttons, press the **BLUE** button. A **SKIP** symbol will appear next to the programme to indicate that it has been selected as skipped. To include a skipped programme when selecting channels via the **PR +** or **PR -** buttons, press the **BLUE** button, the skip symbol will be removed.
 - 5c To include the programme in the **FAVOURITES** list, press the **FAV** button. A **HEART** will appear next to the programme to indicate that it has been added to the favourites list. To remove a programme from the favourites list press the **FAV** button, the heart will be removed from the programme.
 - 5d To **RENAME** a programme press the **GREEN** button. Press the **▲ ▼** buttons to select a character (holding the **▲ ▼** buttons pressed will perform a fast search of the available characters) and press the **◀ ▶** buttons to select the position. A maximum of five characters can be used to name a programme. To save the new name press the **GREEN** button.
 - 5e To **MOVE** a programme to a new position in the list. Press the **YELLOW** button. Press the **▲ ▼** buttons to move the programme to the required position. To save the programme in the new position press the **YELLOW** button.
- 6 Press the **EXIT** button to close the Programme Edit menu.

Blue Screen

- 1 Press the **MENU** button.
- 2 Press the ◀ ▶ buttons to display the **SETUP** menu.
- 3 Press the ▲ ▼ buttons to highlight **Blue Screen**.
- 4 Press the ◀ ▶ buttons or the **OK** button to toggle the setting between ON and OFF.
- 5 Press the **EXIT** button to close the SETUP menu.

Signal Information

Signal information is only available when DTV is being viewed. The information detailed is regarding the multiplex currently being viewed.

- 1 Press the **MENU** button to display the **CHANNEL** menu.
- 2 Press the ▲ ▼ buttons to HIGHLIGHT the **SIGNAL INFORMATION** menu.
- 3 Press the **OK** button to display the signal information.
- 4 Press the **EXIT** button to close the CHANNEL menu.

CI Information

If a Conditional Access Module (CAM) is installed CI information is available via the CHANNEL menu as follows:

Note: If a Conditional Access Module (CAM) is not installed the option CI Information will be greyed out and not selectable.

- 1 Press the **MENU** button to display the **CHANNEL** menu.
- 2 Press the ▲ ▼ buttons to HIGHLIGHT the **CI INFORMATION** menu.
- 3 Press the **OK** button to display the CI Information
With a CAM installed the message 'Loading CI MMI...' will be displayed whilst the TileVision® accesses the information from the CAM and viewing card.
- 4 When the Main menu is displayed,
 - 4a Press the ▲ ▼ buttons to select a menu option
 - 4b Press the **OK** button to view the available information.
 - 4c Press the **OK** or **EXIT** button to return to the main CI Information menu.
- 5 Press the **EXIT** button to close the menu.

Changing Channels

There are five ways to change to a new channel on the TileVision®:

- 1 Enter the programme number directly by pressing the number keys. When choosing a programme from 1-9 there is no need to press the 0 key first.
- 2 Press the PR + or PR - buttons to switch from programme to programme in sequence.
- 3 Press the OK button to display the Channel List. When the list is displayed use the ▲ ▼ buttons to select a programme and press the OK button to switch to the selected programme.

The ◀ button can be used to move up one page at a time, or the ▶ button can be used to move down one page at a time.

The Channel List will continue to be displayed for a few seconds or until the EXIT button is pressed.

- 4 Press the FAV button to display the Favourite List. When the list is displayed use the ▲ ▼ buttons to select a programme and press the OK button to switch to the selected programme. To edit the Favourite Programme list see pages 28 & 29.

The Favourite List will continue to be displayed for a few seconds or until the EXIT button is pressed.

- 5 When watching DTV press the EPG button to display the Electronic Programme Guide.

When the Programme Guide is displayed use the ▲ ▼ buttons to select a programme and press the OK button to select the chosen programme.

Press the EPG or EXIT button to close the EPG.

OSD (On Screen Display) Time

- 1 Press the **MENU** button.
- 2 Press the ◀ ▶ buttons to display the **TIME** menu.
- 3 Press the ▲ ▼ buttons to highlight the **OSD TIME** menu.
- 4 Press the **OK** button to display the OSD TIME menu.
- 5 Press the ▲ ▼ buttons to select the required delay, 5, 10, 15, 20, 25 or 30 seconds.
- 6 Press the **OK** button to set the selected time.
- 7 Press the **EXIT** button to close the TIME menu.

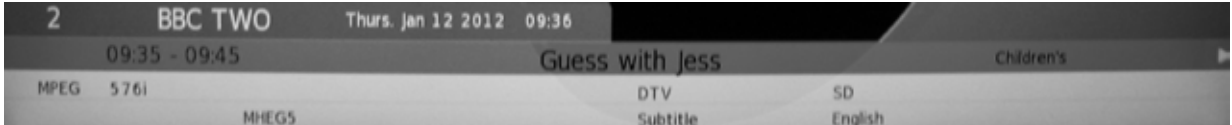
On Screen Display Language

The on-screen menus and lists can be in any of the following eleven languages: Dansk, Deutsch, English, Español, Français, Italiano, Magyar, Nederlands, Polski, Português, Slovenščina.

- 1 Press the **MENU** button.
- 2 Press the ◀ ▶ buttons to display the **SETUP** menu.
- 3 Press the ▲ ▼ button to highlight **OSD LANGUAGE**.
- 4 Press the **OK** button to display the OSD LANGUAGE selection menu.
- 5 Press the ▲ ▼ and ◀ ▶ buttons until the required language is selected.
- 6 Press the **OK** button to set the selected language.
- 7 Press the **EXIT** button to close the SETUP menu.

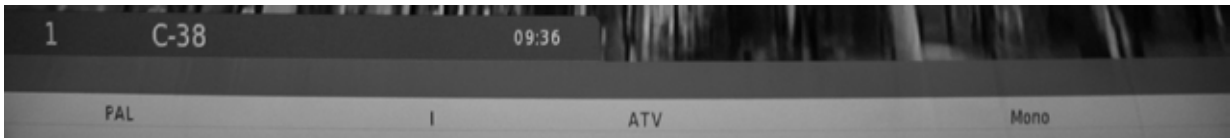
All the on-screen displays will now be in the chosen language.

Basic DTV Programme Information



The channel number, channel name and signal information are always displayed on screen for a few seconds whenever switching from one channel to another.

Basic ATV Programme Information

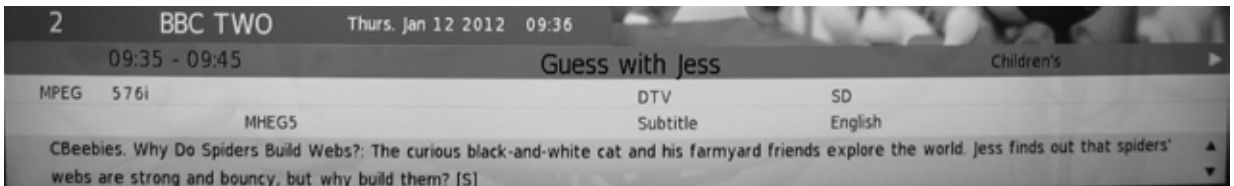


The channel number, channel name and signal information are always displayed on screen for a few seconds whenever switching from one channel to another.

Because detailed information is not broadcast on analogue television, pressing the INFO button will display the same information as is shown when changing channel.

Detailed DTV Programme Information

More detailed information about the current programme can be seen at any time by pressing the **INFO** button. Press the **INFO** button again to clear the information banner from the screen.



The information contained in the banner is as follows:

Line 1 the channel, the current time and the date.

Line 2 the start and end times of the programme and the programme title.

Line 3 the video mode (576i denotes standard resolution), the availability of MHEG digital text, the availability of subtitles and the audio language.

Line 4 a brief synopsis of the programme.

To view the information on the next programme press the ► button.

The Electronic Programme Guide (EPG)

Viewing the EPG

The EPG information is provided by the broadcasters.

Programme entries may appear blank or out of date as a result of the information broadcast on a given channel. The display will dynamically update as soon as new information becomes available.

EPG information can be viewed at any time when watching **digital programmes**.

1 Press the **EPG** button to display the **Electronic Programme Guide**.

PROGRAMME GUIDE		
27 Mar 2014	14:25-15:25	27 Mar 2014 14:46
3/6 Annapurna to Everest: Michael Palin continues his Himalayan trek. He sees the Annapurna Sanctuary, meets the Nepalese king, visits a mountain monastery and climbs a glacier. [S]		
27 Mar		
1 BBC ONE N West	14:25-15:25	Himalaya with Michael Palin
2 BBC TWO	15:25-16:15	Cagney and Lacey
3 ITV	16:15-16:45	'Allo 'Allo!
4 Channel 4	16:45-17:15	'Allo 'Allo!
5 Channel 5	17:15-18:00	Vintage Antiques Roadshow
6 ITV2	18:00-18:30	Revenge of the Egghead
7 BBC THREE	18:30-19:00	The Voice: Louder on Two
9 BBC FOUR	19:00-20:00	Antiques Road Trip

2 Use the **▲ ▼ & ◀ ▶** buttons to move the highlight around the EPG.

3 Press the **OK** button to select the currently highlighted channel.

4 Press the **EPG** or **EXIT** button to close the EPG.

Detailed programme information is available without closing the EPG by pressing the **INFO** button.

To return to the EPG press the **INFO** button again.

PVR File System

The PVR USB memory stick performance can be checked or if required the PVR USB memory stick can be formatted.

- 1 Press the **MENU** button.
- 2 Press the ◀ ▶ buttons to display the **SETUP** menu.
- 3 Press the ▲ ▼ buttons to highlight the **PVR File System** option.
- 4 Press the **OK** button to display the PVR File System menu.
- 5 Press the ▲ ▼ buttons to highlight the required option.
 - 5a To check PVR File System. Press the **OK** button. After testing is complete, information regarding the performance of the USB memory stick is displayed.
 - 5b To FORMAT the USB memory stick. Press the **OK** button.
 - Press the ◀ ▶ buttons to select the format system type.
 - FAT32 the maximum capacity of the USB memory stick will be used for the PVR file.
 - Hi Speed FS: The recording capacity for the PVR file can be set.
 - Press the ▲ ▼ buttons to select the recording capacity.
 - Press the ◀ ▶ buttons to set the value of the recording capacity.
 - Press the **OK** button when the formatting options have been set.
 - Press the ◀ button to START formatting, press the ▶ button to exit without formatting.
 - 5c Time Shift Size. Press the **OK** button.
 - Press the ◀ ▶ buttons to select the Time Shift Disk Size.
 - Press the **OK** button. Perform Formatting (if required).
 - Press the ◀ button to START formatting, press the ▶ button to exit without formatting.
 - 5d Free Record Limit.
 - Press the ◀ ▶ buttons to select the Free Record Limit.
- 6 Press the **MENU** button to exit the PVR File System menu..
- 7 Press the **EXIT** button to close the SETUP menu.

The EPG Timer Recording

The Electronic Programme Guide is only available when viewing Digital TV.

A USB memory stick (flash drive) must be installed.

To record a programme from the EPG.

- 1 Press the **EPG** button. The EPG will be displayed with the current channel being viewed, highlighted.
- 2 Press the **◀ ▶** buttons to set the required date, the date can be set within the next seven days from the current date.
- 3 Use the **▲ ▼ & ◀ ▶** buttons to move the highlight around the EPG to select the required programme.
- 4 Press the **RED** button.
- 5 The **RECORDER** settings will be displayed.
- 6 Press the **OK** button.
- 7 The Timer Confirmed notification will be displayed.

If a programme recording time conflicts with another recording the Timer Confirmation notice will advise a Timer Overlap and the current setting will be deleted. The timer recording will not be set.

Timer Recording - Indication.

With the TileVision in standby mode (red LED lit). The LED will change to green to indicate that the recording is in progress, a picture will NOT be displayed. On completion of the recording the LED will revert back to red.

The EPG Timer Recording

Manual adjustment of a timer recording.

A USB memory stick (flash drive) must be installed.

The Electronic Programme Guide is only available when viewing Digital TV.

To record a programme from the EPG.

- 1 Press the **EPG** button. The EPG will be displayed with the current channel being viewed, highlighted.
- 2 Press the **◀ ▶** buttons to set the required date, the date can be set within the next seven days from the current date.
- 3 Use the **▲ ▼ & ◀ ▶** buttons to move the highlight around the EPG to select the required programme.
- 4 Press the **RED** button.
- 5 The **RECORDER** settings will be displayed.
- 6 Press the **▲ ▼** buttons to highlight MODE.
 - 6a Press the **◀ ▶** buttons to set the required recording sequence.
ONCE.
EVERYDAY.
WEEKLY.
- 7 When the mode is not set to auto, the START time and END time can be adjusted.
 - 7a Press the **▲ ▼** buttons to highlight the item to be adjusted.
 - 7b Press the **◀ ▶** buttons to set the value.
- 8 When all the information has been entered press the **OK** button.
- 9 The Timer Confirmed notification will be displayed.

If a programme recording time conflicts with another recording the Timer Confirmation notice will advise a Timer Overlap and the current setting will be deleted. The timer recording will not be set.

Timer Recording - Indication.


With the TileVision in standby mode (red LED lit). The LED will change to green to indicate that the recording is in progress, a picture will NOT be displayed. On completion of the recording the LED will revert back to red.

The Timer Recording / Reminder Schedule

The Schedule List can be displayed for checking or deleting a programme that is set to be recorded, or a reminder of a programme.

- 1 Press the **EPG** button to display the **EPG**.
- 2 Press the **YELLOW** button (Schedule). A list of programmes that is scheduled to be recorded will be shown.
 - 2a To delete a programme press the **▲ ▼** buttons to highlight the programme to be deleted. Press the **RED** button to delete the scheduled recording or reminder.
- 3 Press the **EXIT** button to return to normal TV viewing.
 - 3a Press the **YELLOW** button to return to the EPG.

A **MOVIE**  symbol indicates that the programme is set to record.

A **TIMER**  symbol indicates that the programme is set as a reminder.

Programme Reminder

The Schedule List can be displayed for checking or deleting a reminder that has been set for a programme.

- 1 Press the **EPG** button to display the **EPG**.
- 2 Select the programme for which a reminder is to be set.
- 3 Press the **BLUE** button to display the REMINDER menu.
 - 3a Use the **◀ ▶** & **▲ ▼** buttons to alter the channel, time and frequency of the reminder, if required.
- 4 When the reminder timings are correct, press the **OK** button to store the reminder.

Recording The Current Programme

A **USB memory stick (flash drive)** must be installed.

To quickly record the current programme for viewing at a later time.

Press the **RECORD** button.

The recording of the programme starts immediately. The record indicator will appear at the top left of the picture.

To display or remove the control bar press the **RECORD** button.

To stop the recording, press the **STOP** button.

The PVR (Personal Video Recorder) List

- 1 Press the **PVR** LIST button. The **PVR** list will be displayed.
- 2 Press the ▲ ▼ buttons to highlight the required recording.
- 3 Press the **OK** button or **PLAY** button to start the playback of the recording.

Time Shift - Recording

A USB memory stick (flash drive) must be installed.

Timeshift formatting of the USB memory stick must be performed before using this function, refer to page 35.

The viewing of a current programme can be paused temporarily, and then played back.

Press the **TIMESHIFT** button.

A pause indicator will appear at the top left of the picture.

To playback the paused programme press the **PLAY** button.

To display the control bar press the **TIMESHIFT** button.

To pause playback press the **PAUSE** button.

To move quickly through the recording used the ◀ ▶ buttons.

To exit the timeshift mode and return to normal viewing, press the **STOP** button.

Picture Mode

The *Picture Mode* setting is independently adjustable for each input. For example, DTV can be set to Personal and the HDMI input can be set to Movie for DVD playback.

Three preset picture modes can be selected or, using the Personal option, the Contrast, Brightness, Colour Intensity and Sharpness can be set to preferred levels.

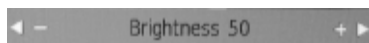
- 1 Press the **MENU** button.
- 2 Press the ◀ ▶ buttons to select the **PICTURE** menu.
- 3 Press the ▲ ▼ buttons to highlight **Picture Mode**.
- 4 Press the **OK** button to display the Picture Mode Menu.
- 5 Press the ▲ ▼ buttons to highlight the required setting.
- 6 Press the **OK** button to select the setting.
- 7 Press the **EXIT** button to close the Picture menu.

Picture Settings User Mode

Contrast, Brightness, Colour and Sharpness can only be adjusted in Personal Picture Mode.

Adjustments can be made as follows:

- 1 Press the **MENU** button.
- 2 Press the ◀ ▶ button to select the **PICTURE** menu.
- 3 Press the ▲ ▼ buttons to highlight **Picture Mode**.
- 4 Press the **OK** button to display the Picture Mode Menu.
- 5 Press the ▲ ▼ buttons to highlight the **Personal** setting.
- 6 Press the **OK** button to select the setting.
- 7 Press the ▲ ▼ buttons to select, Contrast, Brightness, Colour or Sharpness.
- 8 Press the **OK** button to select the setting.
- 9 Press the ◀ ▶ buttons to adjust the value.



Adjustments are made with the PICTURE menu hidden so that most of the picture is visible. Only the item being adjusted is shown on the screen.

9a Repeat instructions 7 to 9, to adjust other settings.

- 10 When all the settings are as required press the **EXIT** button to close the Picture Mode menu.

The Tint adjustment does not apply to TileVision®.

Picture Colour Temperature

The Colour Temperature can be set independently for each input. For example, DTV can be set to Normal and the HDMI input can be set to Personal for DVD playback.

Setting the Colour Temperature

Three preset colour temperature settings can be selected.

- 1 Press the **MENU** button.
- 2 Press the ◀ ▶ buttons to select the **PICTURE** menu.
- 3 Press the ▲ ▼ buttons to highlight **Colour Temp.**
- 4 Press the **OK** button to display the Colour Temp menu.
- 5 Press the ▲ ▼ buttons to highlight the required setting.
- 6 Press the **OK** button to select the setting.
- 7 Press the **EXIT** button to close the Picture menu.

Picture Noise Reduction

Noise Reduction can be independently set for each input except PC where Noise Reduction setting is not required.

If noise reduction is needed, Default is the recommended setting.

Noise reduction can be set as follows:

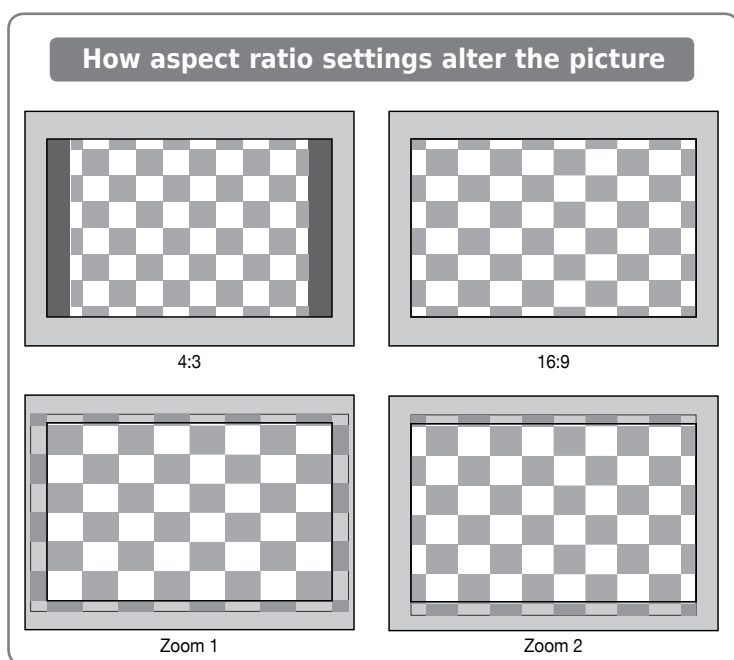
- 1 Press the **MENU** button.
- 2 Press the ◀ ▶ buttons to select the **PICTURE** menu.
- 3 Press the ▲ ▼ buttons to highlight **Noise Reduction.**
- 4 Press the **OK** button to display Noise Reduction menu.
- 5 Press the ▲ ▼ buttons to highlight the required settings.
Off, Low, Middle, High or Default.
- 6 Press the **OK** button to select the setting
- 7 Press the **EXIT** button to close the Noise Reduction menu.

Picture Aspect Ratio

The Aspect Ratio can be independently set for each input. For example, DTV can be set to Auto and the HDMI input can be set to Zoom1 for DVD playback.

If the Aspect Ratio is set to Auto, the TileVision® will alter the picture to best suit the programme being received and there will be little need to change the setting manually.

- 1 Press the **MENU** button.
- 2 Press the ◀ ▶ buttons to select the **SETUP** menu.
- 3 Press the ▲ ▼ buttons to highlight **Aspect Ratio**.
- 4 Press the **OK** button to display the Aspect Ratio Menu.
- 5 Press the ▲ ▼ buttons to select any of the different settings as shown below.



- 6 Press the **OK** button to select the chosen setting.
- 7 Press the **EXIT** button to close the Aspect Ratio menu.

Audio Language

The primary or secondary language are used as appropriate if they are available when a multiple language source is broadcast.

Set the preferred audio languages as follows:

- 1 Press the **MENU** button.
- 2 Press the ◀ ▶ buttons to display the **SETUP** menu.
- 3 Press the ▲ ▼ buttons twice to HIGHLIGHT the **AUDIO LANGUAGES** option.
- 4 Press the **OK** button to display the AUDIO LANGUAGES selection menu.
- 5 Press the ◀ ▶ buttons to display PRIMARY or SECONDARY.
- 6 Press the ▼ button to move to the language selection area.
- 7 Press the ▲ ▼ and ◀ ▶ buttons to select the required language.
- 8 Press the **MENU** button to return to the AUDIO LANGUAGES (top) selection menu.
 - 8a Repeat instructions 5 to 8 to set a SECONDARY language.
- 9 Press the **MENU** button to exit the AUDIO LANGUAGES selection menu.
- 10 Press the **EXIT** button to close the SETUP menu.

DTV Audio Languages

Some DTV broadcasts can include multiple audio languages and/or narrative audio descriptions for the visually impaired (V.I.). The Audio Languages menu allows available languages to be selected and broadcasts with audio descriptions to be chosen if required.

In **DTV** mode the sound output for the left and right speakers can be selected as follows:

- 1 Press the **AUDIO** button to open the **Audio Languages** list.
- 2 Press the ▲ ▼ buttons to select the required broadcast language and V.I. option.
- 3 Press the ◀ or ▶ buttons to sequence through the three options;
L+R, L+L, or R+R.
- 4 Press the **OK** button to save settings.
- 5 Press the **EXIT** button to close the Audio Languages list..



AD Switch

- 1 Press the **MENU** button.
- 2 Press the ◀ ▶ buttons to select the **SOUND** menu.
- 3 Press the ▲ ▼ buttons to highlight **AD Switch**.
- 4 Press the **OK** button to display the AD Switch menu.
- 5 Press the ◀ ▶ buttons to set the AD (audio description) to ON or OFF. With the AD set to off the volume control is greyed out. *For adjustment of the volume level AD must be set to ON.*
- 6 Press the ▲ ▼ buttons to highlight **AD Volume**.
- 7 Press the ◀ ▶ buttons to set the AD volume to the require level.
- 8 Press the **EXIT** button to close the SOUND menu.

Hearing Impaired

If a broadcast includes alternative audio for the hard of hearing it will be selected when Hearing Impaired is set to on.

- 1 Press the **MENU** button.
- 2 Press the ◀ ▶ buttons to select the **SETUP** menu.
- 3 Press the ▲ ▼ buttons to highlight **HEARING IMPAIRED**.
- 4 Press the **OK** button to toggle the setting between ON and OFF.
- 5 Press the **EXIT** button to close the SETUP menu.

Subtitle Language

The primary or secondary language are used as appropriate if they are available when multiple subtitle languages are broadcast.

Set the preferred subtitle languages as follows:

- 1 Press the **MENU** button.
- 2 Press the ◀ ▶ buttons to display the **SETUP** menu.
- 3 Press the ▲ ▼ buttons to HIGHLIGHT the **SUBTITLE LANGUAGE** option.
- 4 Press the **OK** button to display the SUBTITLE LANGUAGES selection menu.
- 5 Press the ◀ ▶ buttons to display PRIMARY or SECONDARY.
- 6 Press the ▼ button to move to the language selection area.
- 7 Press the ▲ ▼ and ◀ ▶ buttons to select the required language.
- 8 Press the **MENU** button to return to the SUBTITLE LANGUAGES (top) selection menu.
 - 8a Repeat instructions 5 to 8 to set a SECONDARY language.
- 9 Press the **MENU** button to close the SUBTITLE LANGUAGES selection menu.
- 10 Press the **EXIT** button to close the SETUP menu.

Subtitles

Subtitles

Most DTV broadcasts include subtitles in at least one language. To select subtitles or turn subtitles off press the **SUBTITLES** button and the **Subtitle Languages** list will be displayed.

Press the ▲ ▼ buttons to select a language or turn Subtitles off and press the **OK** button to save settings.

Press the **EXIT** button to close the list.



Sound - Mute

Sound Mute

The sound can be muted by pressing the **MUTE** button.

The mute flag will be displayed on the screen whenever the sound is muted.

To restore the sound to the previous level press the **MUTE** button or press either **VOLUME** button up or down.

Auto Volume

If there is a large difference between the volume of one programme and another, setting Auto Volume to on will reduce the disparity.

- 1 Press the **MENU** button.
- 2 Press the ◀ ▶ buttons to select the **SOUND** menu.
- 3 Press the ▲ ▼ buttons to highlight **Auto Volume**.
- 4 Press the **OK** button to switch between On and Off.
- 5 Press the **EXIT** button to save the setting and close the SOUND menu.

Adjusting The Balance

- 1 Press the **MENU** button.
- 2 Press the ◀ ▶ buttons to select the **SOUND** menu.
- 3 Press the ▲ ▼ buttons to highlight **Balance**.
- 4 Press the **OK** button to display the Balance Adjustment menu.
- 5 Press the ◀ ▶ buttons to adjust the Left/Right balance.
- 6 Press the **EXIT** to save the setting and close the Sound menu.

Sound Mode

Four preset sound modes can be selected or, using the Personal mode, treble & bass can be set to preferred levels. Using the EQ, five frequency bands can be adjusted to enhance the audio.

- 1 Press the **MENU** button.
- 2 Press the ◀ ▶ buttons to select the **SOUND** menu.
- 3 Press the ▲ ▼ buttons to highlight **Sound Mode**.
- 4 Press the **OK** button to display the **Sound Mode** menu.
- 5 Press the ▲ ▼ buttons to highlight the required settings.
- 6 Press the **OK** button to select the setting
- 7 Press the **EXIT** button to close the Noise Reduction menu.

Sound - Personal Mode

Treble & bass can be set to preferred levels.

- 1 Press the **MENU** button.
- 2 Press the ◀ ▶ buttons to select the **SOUND** menu.
- 3 Press the ▲ ▼ buttons to highlight **Sound Mode**.
- 4 Press the **OK** button to display the **Sound Mode** menu.
- 5 Press the ▲ ▼ buttons to highlight the **Personal** settings.
- 6 Press the **OK** button to select the setting
- 7 Press the ▲ ▼ buttons to select, Treble or Bass.
- 8 Press the **OK** button to select the setting.
- 9 Press the ◀ ▶ buttons to adjust the value.
9a repeat instructions 7 to 9 to adjust other settings.
- 10 Press the **EXIT** button to close the SOUND menu.

EQ

Five frequency bands can be adjusted by cutting or boosting the selected frequency.

- 1 Press the **MENU** button.
- 2 Press the ◀ ▶ buttons to select the **SOUND** menu.
- 3 Press the ▲ ▼ buttons to highlight **EQ**.
- 4 Press the **OK** button to display the **EQ adjustment** menu.
- 5 Press the ▲ ▼ buttons to select the frequency to adjust.
- 6 Press the ◀ ▶ buttons to adjust the frequency.
- 7 Press the **EXIT** button to save the setting and close the SOUND menu.

Surround Sound

Surround sound will enhance the audio and provide a more enjoyable and involving presentation.

- 1 Press the **MENU** button.
- 2 Press the ◀ ▶ buttons to select the **SOUND** menu.
- 3 Press the ▲ ▼ buttons to highlight **Surround Sound**.
- 4 Press the **OK** button to display the Surround Sound menu.
- 5 Press the ▲ ▼ buttons to select the required Surround Sound option, OFF or Surround.
- 6 Press the **OK** button to select the chosen option.
- 7 Press the **EXIT** button to close the Sound menu.

SPDIF Mode

- 1 Press the **MENU** button.
- 2 Press the ◀ ▶ buttons to select the **SOUND** menu.
- 3 Press the ▲ ▼ buttons to highlight **SPDIF Mode**.
- 4 Press the **OK** button to toggle the setting between AUTO and PCM mode.
- 5 Press the **EXIT** button to close the SOUND menu.

Setting The Time Zone

There is a choice of 44 cities in various time zones.

- 1 Press the **MENU** button.
- 2 Press the ◀ ▶ buttons to display the **TIME** menu.
- 3 Press the ▲ ▼ button to highlight **TIME ZONE**.
- 4 Press the **OK** button to display the TIME ZONE selection menu.
- 5 Press the ▲ ▼ and ◀ ▶ buttons until the required City / Time Zone is selected.
- 6 Press the **OK** button to set the selected time zone.
- 7 Press the **EXIT** button to close TIME menu.

Auto Standby

The TileVision® incorporates a auto standby function. If there has been no operation of the TileVision® after a set time, the TileVision® will switch to standby. Time lengths available, OFF, 3 hours, 4 hours or 5 hours.

- 1 Press the **MENU** button.
- 2 Press the ◀ ▶ buttons to display the **TIME** menu.
- 3 Press the ▲ ▼ buttons to HIGHLIGHT the **AUTO STANDBY** menu.
- 4 Press the **OK** button to display the AUTO STANDBY menu.
- 5 Press the ▲ ▼ buttons to select the required delay., OFF, 3 hours, 4 hours or 5 hours.
- 6 Press the **OK** button to set the selected time.
- 7 Press the **EXIT** button to close the TIME menu.

An on-screen countdown will be displayed from 5 minutes before the TileVision® switches off.

Sleep Timer

The TileVision® incorporates a sleep timer which can be set to turn the unit off after a preset time. The available delay times are:

10, 20, 30, 60, 90, 120, 180, and 240 minutes.

The sleep time can be set as follows:

- 1 Press the **MENU** button.
- 2 Press the ◀ ▶ buttons to display the **TIME** menu.
- 3 Press the ▲ ▼ buttons to highlight the **SLEEP TIMER** menu.
- 4 Press the **OK** button to display the SLEEP TIMER menu.
- 5 Press the ▲ ▼ buttons to select the required delay.
- 4 Press the **OK** button to set the time.
- 6 Press the **EXIT** button to close the TIMER menu.

An on-screen countdown will be displayed from 60 seconds before the TileVision® switches off.

The Sleep Timer can be changed whilst watching a programme. Press the Sleep button to sequence through the delay settings.

Setting The OFF Time

The time menu allows the TileVision® to be programmed to switch on or off at preset times. Options available are Off, Once, Every Day, Mon~Fri, Mon~Sat, Sat~Sun, Sunday.

- 1 Press the **MENU** button.
- 2 Press the ◀ ▶ buttons to select the **TIME** menu.
- 3 Press the ▲ ▼ buttons to highlight **OFF TIME**.
- 4 Press the **OK** button to display the OFF TIME menu.
- 5 Press the ◀ ▶ buttons to set the OFF TIME to the required setting (Off, Once, Every Day, Mon~Fri, Mon~Sat, Sat~Sun, Sunday). *With the OFF TIME set to off the time settings are greyed out.*
- 6 Press the ▲ ▼ buttons to highlight **HOUR**.
- 7 Press the ◀ ▶ buttons to set the HOUR to the required setting.
- 8 Press the ▲ ▼ buttons to highlight **MINUTES**.
- 9 Press the ◀ ▶ buttons to set the MINUTES to the required setting.
- 10 Press the **MENU** button to exit the OFF TIME menu.
- 11 Press the **EXIT** button to close the TIME menu.

Setting The ON Time

The time menu allows the TileVision® to be programmed to switch on or off at preset times. Options available are Off, Once, Every Day, Mon~Fri, Mon~Sat, Sat~Sun, Sunday.

- 1 Press the **MENU** button.
- 2 Press the ◀ ▶ buttons to select the **TIME** menu.
- 3 Press the ▲ ▼ buttons to highlight **ON TIME**.
- 4 Press the **OK** button to display the ON TIME menu.
- 5 Press the ◀ ▶ buttons to set the ON TIME to the required setting (Off, Once, Every Day, Mon~Fri, Mon~Sat, Sat~Sun, Sunday). *With the ON TIME set to off the time settings are greyed out.*
- 6 Press the ▲ ▼ buttons to highlight **HOOR**.
- 7 Press the ◀ ▶ buttons to set the HOUR to the required setting.
- 8 Press the ▲ ▼ buttons to highlight **MINUTES**.
- 9 Press the ◀ ▶ buttons to set the MINUTES to the required setting.
- 10 Press the ▲ ▼ buttons to highlight the **input**.
- 11 Press the ◀ ▶ buttons to set the input to the required setting (DTV, ATV, Radio, SCART, Component,PC, HDMI 1, HDMI 2, HDMI 3, AV, Media).
 - 11a With the input DTV, ATV, or Radio selected, the channel can be selected. Press the ▲ ▼ buttons to highlight the channel.
 - 11b Press the ◀ ▶ buttons to select the required channel.
- 12 Press the ▲ ▼ buttons to highlight **VOLUME**.
- 13 Press the ◀ ▶ buttons to set the VOLUME to the required setting.
- 14 Press the **MENU** button to exit the ON TIME menu.
- 15 Press the **EXIT** button to close the TIME menu.

Lock System

The lock menu allows a password to be entered so that a number of key settings can be locked, selected programmes can be blocked and parental controls can be imposed.

When lock system is on, Auto Tuning, DTV Manual Tuning and ATV Manual Tuning can not be accessed from the CHANNEL menu without entering the password. All other menu options are not affected.

The TileVision® default four digit password is 0000.

*Before adjustment of the settings on the Lock Menu can be undertaken, the Lock Menu screen must be **UNLOCKED** first by entering the password.*

To **UNLOCK** the Lock Menu screen.

- 1 Press the **MENU** button.
- 2 Press the ◀ ▶ buttons to display the **LOCK** menu.
- 3 Press the ▲ ▼ buttons to highlight the **LOCK SYSTEM** option.
- 4 Press the **OK** button to display the ENTER PASSWORD dialogue.
- 5 Enter the correct four digit code using the number pad on the remote control.
With the correct code entered the display will return to the LOCK menu.

To Set The Lock System ON or OFF

- 1 **UNLOCK** the LOCK MENU screen, see above.
- 2 Press the **OK** button to switch the setting between ON or OFF.
- 3 Press the **EXIT** button to close the LOCK menu.

Change Password

- 1 Press the **MENU** button.
- 2 Press the ◀ ▶ buttons to display the **LOCK** menu.
Unlock the LOCK menu, set LOCK to ON (with LOCK set to OFF, Set Password is greyed out).
- 3 Press the ▲ ▼ buttons to highlight the **SET PASSWORD** option.
- 4 Press the **OK** button to open the password window.
- 5 Enter the **current** four digit code using the number pad on the remote control.
- 6 Enter the **NEW** four digit code using the number pad on the remote control.
- 7 Reenter the **NEW** four digit code using the number pad on the remote control.
When completed the display will return to the LOCK menu.
- 8 Press the **EXIT** button to close the LOCK menu.

If the default password of 0000 is replaced by a user password and the password is then forgotten, contact the place of purchase to obtain the master password.

Parental Guidance

The parental guidance option allows any age from 4 to 18 to be select for all programmes. Parental guidance is set as follows:

- 1 **UNLOCK** the LOCK MENU screen, see above.
- 2 Press the ▲ ▼ buttons to highlight the **PARENTAL GUIDANCE** menu.
- 3 Press the **OK** button to display the PARENTAL GUIDANCE menu.
- 4 Press the ▲ ▼ buttons to select the required age restriction.
- 5 Press the **OK** button to set the selected option.
- 6 Press the **EXIT** button to close the LOCK menu.

Block Programme

Blocked programmes can only be viewed by entering the password. The programmes are selected in the normal way but it is necessary to enter the password before the programme is shown.

Programmes are blocked as follows:

- 1 **UNLOCK** the LOCK MENU screen, see page 52.
- 2 Press the ▲ ▼ buttons to highlight the **BLOCK PROGRAMME** menu.
- 3 Press the **OK** button to display a list of all the programmes
- 4 Press the ▲ ▼ buttons to select **the required Programme**.
- 5 Press the **GREEN** button to BLOCK the selected programme. A padlock symbol will appear next to the Blocked programme.
 - 5a To UNBLOCK a blocked programme press the **GREEN** button.
- 6 Press the **EXIT** button to close the LOCK menu.

Key Lock

The **Key Lock** function is not used. Setting the Key Lock to ON or OFF has no effect.

Hotel Mode

The Hotel Mode enables the source menu to be edited. Unwanted source inputs can be removed from the source listing. The TileVision can be configured so that at switch on, the TileVision will always select a preferred source / TV Programme, with the volume at a preset level. The maximum volume level can be set.

For the Hotel Mode to be set active, both the Lock System and the Hotel Mode must be set to ON.

- 1 Press the **MENU** button.
- 2 Press the ◀ ▶ buttons to display the **LOCK** menu.
- 3 Press the ▲ ▼ buttons to highlight the **LOCK SYSTEM** option.
- 4 Press the **OK** button to display the ENTER PASSWORD dialogue.
- 5 Enter the correct four digit code using the number pad on the remote control.
With the correct code entered the display will return to the LOCK menu.
- 6 Press the **OK** button to switch the setting between ON or OFF.
- 7 Press the ▲ ▼ buttons to highlight the **Hotel Mode** option.
- 8 Press the **OK** button to display the **Hotel Mode** menu.
All setting on the Hotel Mode menu are greyed out when the Hotel Mode is set to OFF.
- 9 Press the **OK** button to toggle the Hotel Mode ON or OFF.

Source Lock

When a source (input) has been set to ON (locked), the source will no longer appear on the source list, preventing access to that input.

When the source has been set to OFF, the source can be accessed from the source list.

- 1 Press the ▲ ▼ buttons to highlight the **Source Lock** option.
- 2 Press the **OK** button to display the **Source Lock** Menu.
- 3 Press the ▲ ▼ buttons to highlight the **Source** to be locked.
- 4 Press the **OK** button to toggle the setting between ON or OFF. Set to ON to lock.
4a Repeat instructions 3 & 4 to lock all required sources.
- 5 Press the **MENU** button to return to the Hotel Mode menu.

Default Source

The TileVision can be configured so that at switch on, the TileVision will always select a preferred source. If DTV is selected as the default source a preferred TV Programme or radio station can be set.

- 1 Press the ▲ ▼ buttons to highlight the **Default Source** option.
- 2 Press the **OK** button to display the **Default Source** Menu.
- 3 Press the ▲ ▼ buttons to highlight the preferred default **Source**.
Select OFF if no default source is required.
- 4 Press the **OK** button to set the default source and return to the Hotel Mode menu.
- 5 Press the **MENU** button to return to the Hotel Mode menu without selecting a default source.

DTV Channel Type

If DTV is selected as the default source a preferred TV Programme or radio station can be set.

- 1 Press the ▲ ▼ buttons to highlight the **DTV Channel Type** option.
- 2 Press the **OK** button to display the **DTV Channel Type** Menu.
- 3 Press the ▲ ▼ buttons to highlight either **DTV** or **Radio**.
- 4 Press the **OK** button to set the channel type and return to the Hotel Mode menu.
- 5 Press the **MENU** button to return to the Hotel Mode menu without making a selection.

Default Programme

If DTV is selected as the default source a preferred TV Programme or radio station can be set.

- 1 Press the ▲ ▼ buttons to highlight the **Default Programme** option.
- 2 Press the ◀ ▶ buttons to set the **preferred programme number**.

Maximum Volume

The maximum volume level can be set.

- 1 Press the ▲ ▼ buttons to highlight the **Max Volume** option.
- 2 Press the ◀ ▶ buttons to set the **Maximum Volume**.
- 3 Press the **MENU** button to return to the Hotel Mode menu.

Default Volume

The default on level for the volume can be set from 0 to maximum volume. The default on level can not be set higher than the set maximum level.

- 1 Press the ▲ ▼ buttons to highlight the **Default Volume** option.
- 2 Press the ◀ ▶ buttons to set the **Default Volume**.
- 3 Press the **MENU** button to return to the Hotel Mode menu.

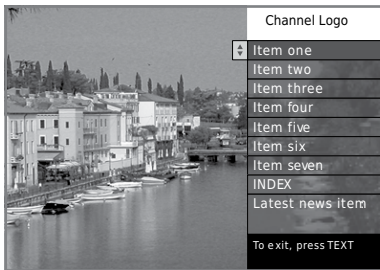
Clear Lock

Clear Lock will reset all the Hotel Mode setting back to the default settings.

- 1 Press the ▲ ▼ buttons to highlight the **Clear Lock** option.
- 2 Press the **OK** button
- 3 Press the **EXIT** button to exit the Hotel Mode menu.

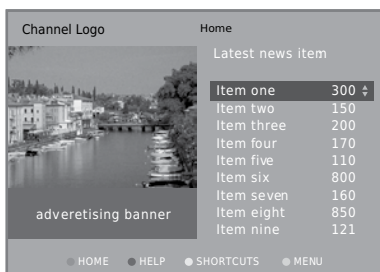
DTV Text

To access DTV Text press the **TEXT** or **RED** button depending on the programme's broadcaster. A small banner 'loading...' will be displayed on screen. After a few seconds the broadcaster's menu will appear, either overlaying part of the current programme:



Typical overlay example

or with the current programme in a smaller window next to the text menus and instructions:



Typical inset example

Use the **▲ ▼** buttons (or in some cases the **◀ ▶** buttons) to navigate the menus and the **OK** button to select items. Use the **RED, GREEN, YELLOW** and **BLUE** buttons to access shortcuts, help and additional menus etc., as shown on screen.

To exit DTV Text press the **TEXT**, the **EXIT** button or change channel.

All DTV Text navigation uses the **▲ ▼ ◀ ▶**, **Colour** and **0-9** number buttons, all functions are available with the TileVision® splashproof remote control.

Some broadcasters show a red on-screen prompt when DTV Text is available.

To remove the prompt from the screen press the Green button.

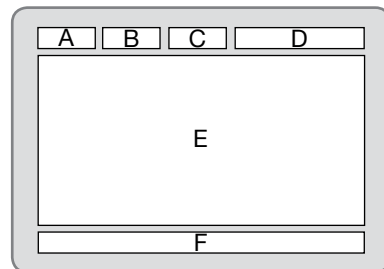
DTV Text is not available immediately after changing channel as it takes a few seconds for the TileVision® to receive the data from the broadcaster.

ATV Teletext

Functions of Teletext

Part Display Contents

- A Selected page number.
- B Broadcast Station identity.
- C Current page number or searching status.
- D Date and time.
- E Text information.
- F FastText information.
Red, Green, Yellow, Blue



Switching Teletext On

- 1 Press the **TEXT** button once to view the Teletext pages.
- 2 Use the **0-9** number buttons and the **RED, GREEN, YELLOW** and **BLUE** FastText buttons to navigate the text pages.
- 3 Press the **TEXT** button again to switch to mix mode with the text overlaying the TV picture. Press the **TEXT** button again to switch Teletext off and return to normal viewing.

Teletext (TT) Language

- 1 Press the **MENU** button.
- 2 Press the **◀ ▶** buttons to display the **SETUP** menu.
- 3 Press the **▲ ▼** buttons to highlight the **TT Language** option.
- 4 Press the **OK** button to open the TT Language menu.
- 5 Press the **▲ ▼** buttons to select the preferred language.
- 6 Press the **OK** button to set the selection.
- 7 Press the **EXIT** button to close the TT Language menu.

Digital Media Player

A USB memory stick (flash drive) must be installed.

- 1 Select the source input as **Media**, see page 24.
- 2 Press the ◀ ▶ buttons to highlight the media, Photo, Music, Movie or Text.
- 3 Press the **OK** button.
- 4 Press the **OK** button to select the USB memory stick.
- 5 Press the ◀ ▶ ▲ ▼ buttons to select the required item.
- 6 Press the **OK** button
 - 6a Repeat the sequence 5 and 6 until the required content is displayed.
Pressing the **OK** button will display the item.
If the **OK** button is pressed during play back the play back control bar is displayed.
The play back control bar will clear in a few seconds.

Reset (Restore Default)

There is normally no need to restore factory settings. It can however, be useful to restore factory settings as an easy way of clearing such restrictions as blocked, skipped channels and personal settings, etc.

The default factory settings can be restored as follows:

- 1 Press the **MENU** button.
- 2 Press the ◀ ▶ buttons to display the **SETUP** menu.
- 3 Press the ▲ ▼ buttons to highlight the **RESET** option.
- 4 Press the **OK** button to display the WARNING menu.
- 5 Press the ◀ button to select **YES** and restore all setting.
 - 5a Press the ▶ button to select NO and return to the OPTION menu.

Restore default does not:

Restore the password to the original default code of 0000.

Set the LOCK to off.

Remove the age restriction set with parental guidance.

First Time Installation

- 1 Press the **MENU** button.
- 2 Press the ◀ ▶ buttons to display the **SETUP** menu.
- 3 Press the ▲ ▼ buttons to highlight the **First Time Installation** option.
- 4 Press the **OK** button to proceed with the **First Time Installation** process.
- 5 Press the ◀ ▶ buttons to select the required language.
- 6 Press the ▼ button to highlight Country.
- 7 Press the ◀ ▶ buttons to select the required Country.
- 8 Press the **OK** button to begin tuning.

On completion of tuning if DTV has been tuned the Target Region Setting menu will be displayed.

 - 8a Press the ◀ ▶ select the required Country Code, Primary Region, Secondary Region and Tertiary Region.
 - 8b Press the **OK** button to confirm selection and step down to the next option.
 - 8c Repeat 8a & 8b.

Learning Remote Control

The remote control is designed to allow the user to control up to three different devices by using the TV, SAT and DVD buttons to select which device is to be controlled.

The remote control is preprogrammed with a library of codes covering all major device brands. The full code lists for televisions, satellite receivers, DVD recorders/players and CBLs are available for download from the www.tilevision.tv web site.

The remote control also has the facility to directly learn remote control codes from other infrared remote controls. This allows the remote control to learn up to 41 functions for each chosen device.

The remote control can be used in replace of the Sky™ satellite receiver remote control. Enabling control of both the Sky™ satellite receiver and the TileVision from a single remote control.

Remote Control - How to Control a Device

Press and release the device button: TileVision® (TV), satellite receiver (SAT) or DVD recorder/player (DVD) that you wish to control. Press the function button you require. The LEDs will light to confirm that a signal is being sent and which device is being controlled.

To select a different device to control, press and release the device button: TileVision® (TV) satellite receiver (SAT) or DVD recorder/player (DVD) that you wish to control. Press the function button you require. The LEDs will light to confirm that a signal is being sent and which device is being controlled.

TileVision® Codes

The TileVision® learning remote control is supplied with the TV device button set to the TileVision® TV/22/FR2 model remote control codes. If these remote control codes are accidentally erased, the three digit code for the TileVision® is 368.

Entering a Brand Code

The remote control is preprogrammed with a library of codes covering all major device brands. The full code lists for satellite receivers, DVD recorders/players and VCRs are available for download from the TileVision® website www.tilevision.tv.

- 1 Locate the three digit code in the brand list, for the satellite receiver or DVD recorder/player that you wish to control.
- 2 Press and hold down the Television (TV), satellite (SAT) or DVD recorder/player (DVD) device button until the red light stays on.
- 3 Enter the three digit code using the number buttons 0-9.
- 4 As each digit is entered the red light will flash once and then remain on.
- 5 If the three digit code is correct the red light will go out. If the three digit code is incorrect the red light will flash twice and then remain on.
- 6 Press the original device button again to exit the code entry mode.

Note: If a three digit code is not entered within 15 seconds the red light will flash twice and exit code entry mode. Entering a three digit code will delete/erase the programmed buttons for that device.

Auto Search - All Brand Codes

- 1 Switch the chosen device (TV, satellite receiver, DVD recorder/player) that you wish to find the code for, to **ON**. When the correct code has been found the device will switch **OFF**.
- 2 Press and hold down the TV (TV), satellite (SAT) or DVD recorder/player (DVD) button until the red light stays on, then release the button.
- 3 Press the power button once and release, this will start the auto search mode.
- 4 When the device switches **OFF**. Immediately press and release the device button that was initially selected to save the code in the remote control.

When the red light switches off, all the codes have been tried and the auto search mode has been exited.

To exit the auto search mode before all the codes have been tried, press and release the device button that was initially selected.

To learn which three digit code has been set to control the device see *Checking/Recalling the Device Code* on page 63.

Manual Search - All Brand Codes

- 1 Switch the chosen device (TV, satellite receiver, DVD recorder/player) that you wish to find the code for, to **ON**. When the correct code has been found the device will switch **OFF**.
- 2 Press and hold down the TV (TV), satellite (SAT) or DVD recorder/player (DVD) button until the red light stays on, then release the button.
- 3 Press PR+ or PR- once and release. Each time PR+ or PR- is pressed a code is transmitted. To perform a fast search, press and hold down PR+ or PR- button.

When the device switches **OFF**, release the PR+ or PR- button.

Step 4 must be executed so that the code is saved in the remote control.

- 4 Press and release the device button that was initially selected to save the code in the remote control.

To learn which three digit code has been set to control the device see *Checking/Recalling the Device Code* on page 63.

Entering a Sky™ Satellite Receiver Code

- 1 Press and hold down the satellite (SAT) device button until the red light stays on.
- 2 Enter the three digit code (192, 288 to 294 inclusive) using the number buttons 0-9.
- 3 As each digit is entered the red light will flash once and then remain on.
- 4 If the three digit code is correct the red light will go out. If the three digit code is incorrect the red light will flash twice and then remain on.
- 5 Press the original device button again to exit the code entry mode.
- 6 Test the functionality of the control of the Sky™ satellite receiver.

Note: If a three digit code is not entered within 15 seconds the red light will flash twice and exit code entry mode. Entering a three digit code will delete/erase the programmed buttons for that device.

Checking/Recalling a Device Code

To find out which three digit code is controlling any device:

- 1 Press and release the device button: TV (TV), satellite (SAT) or DVD recorder/player (DVD) for which you want to find the code.
- 2 Press the same device button again, together with the OK button and release both buttons.
- 3 The red light will flash.
- 4 Count the number of flashes for each digit in the three digit code.
- 5 The red light will remain off for a short time between numbers.
- 6 When all three numbers have been flashed the red light will remain off.

One Flash = 1

Two Flashes = 2

Three Flashes = 3

Four Flashes = 4

Five Flashes = 5

Six Flashes = 6

Seven Flashes = 7

Eight Flashes = 8

Nine Flashes = 9

Ten Flashes = 0

For example:

Press and release the DVD recorder/player (DVD) button.

Press and release the DVD recorder/player (DVD) and OK buttons.

The remote control would then show nine flashes (9), pause, two flashes (2), pause, and one flash (1), to confirm the three digit code of 921.

Manually Programming a Button

High levels of ambient light such as natural sunlight or energy efficient fluorescent lights should be avoided when manually programming the remote control.

Any button other than the device buttons TV, SAT and DVD and the SET button can be manually programmed.

- 1 Place the original remote control and the learning remote control roughly 10 mm apart facing 'head-to-head' with each other.
- 2 On the learning remote control press and release the required device button, TV (TV), satellite (SAT) or DVD recorder/player (DVD) as appropriate.
- 3 Press and hold the SET button on the learning remote control until the red light lights and remains lit. The remote control is now in learning mode.
If the red light does not turn on, go back to step 2 and try again.
- 4 On the learning remote control press and release the button that is to be programmed. The red light will flash rapidly.
- 5 On the original remote control, press and hold the button that is to be learned. When the red light on the learning remote control **flashes three times and then remains lit** the code has been learnt. If the red light does not flash, repeat steps 4 and 5.
Note: If step 5 is not completed within 15 seconds the learning remote control will exit learning mode and the light will stop flashing.
- 6 Repeat steps 4 and 5 to program other buttons.
- 7 Once the required buttons have been programmed press the **SET** button again on the learning remote control to exit learning mode.

Deleting Programmed Buttons

- 1 Press and release the appropriate device button TV (TV), satellite (SAT) or DVD recorder/player (DVD) to select which device's programs are to be deleted.
 - 2 Press and hold the chosen device button together with SET button until the red light flashes three times.
 - 3 All of the programmed buttons for the chosen device have now been cleared of their programming.
- Deleting programs from buttons does not delete any four digit brand code which has been entered.

Remote Control - Troubleshooting

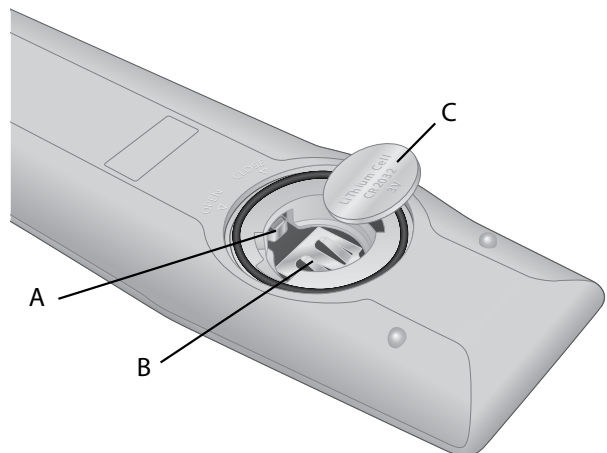
<i>Problem</i>	<i>Solution</i>
The red light does not flash when any button is pressed.	Replace the battery with a new type CR2032 battery.
The red light does not flash when a 'programmed' button is pressed.	The button has not been programmed or has not been programmed correctly. Program the button.
The red light flashes when a button is pressed but the TileVision® or device does not respond.	Ensure that the remote control is within three meters of, and pointed at, the TileVision® or piece of equipment.
The remote control does not operate a device correctly or some commands are not working.	Try all listed codes for the device as shown in the control code pdfs which are available from the support section of the TileVision® website or program the buttons from the device's own remote control.
During learning the red light does not flash three times or stays on for a long time after pressing a button to be learnt.	Memory is full or a bad capture has occurred. For optimum learning, avoid high levels of ambient light such as natural sunlight or energy efficient fluorescent lights. Try adjusting the position of the remote controls before performing the procedure again.

If the remote control fails to operate after the battery has been installed or replaced.

- A. Gently pull forward the small battery terminal.
- B. Gently raise up both prongs.
- C. Push the battery flat in to the battery compartment, (with the positive (+) side upwards) so that it is in contact with both battery terminals for 5 seconds.

Remove the battery and insert the battery at an angle, so it rests on the battery terminal A.

Refit the battery cover and wait 15 seconds before operating the remote control.



TileVision - Troubleshooting

The red/green LED is not lit

(Press the POWER button to check if the green LED lights)

- ☞ Check for power failure.
- ☞ Make sure remote isolation switch is set to on.
- ☞ Make sure the mains socket or fused spur is set to on and has power to it.
- ☞ Make sure the AC power lead is connected to the power adaptor.
- ☞ If the mains supply is via a 13 A outlet check the fuse in the mains plug.

Remote control is not working

- ☞ If the IR LED on a remote control is viewed through a digital camera, the IR LED will be seen to light when any button on the remote control is pressed. If the IR LED does not light the battery/batteries should be replaced.
If the IR LED is seen to light but the remote control only works within 500 mm of the TileVision®, the battery/batteries should be replaced.
If the batteries are replaced and the IR LED still does not light the remote control is faulty or the battery/batteries have been incorrectly installed.

No sound from the TileVision®

- ☞ Check the volume level and that the Mute function is off.
- ☞ Analogue TV - check the correct system is selected for your country. For example, in the UK the setting must be I. See pages 30 for more information.

Sound and picture out of sync

- ☞ This is usually a digital broadcast fault which clears when an alternative channel is selected and then the original channel selected again.

Poor DTV picture or picture breaking up 'blocking'

- ☞ Refer to a professional aerial installer. This can be due to the condition of the aerial, the location of the aerial, the cable quality/length, or other equipment attenuating the signal.
Note: Even though other TVs display a good picture in the same building it does not prove the quality of the signal reaching the TileVision®. The only way is to try an alternative TV on the aerial to the TileVision® or the TileVision® in a known, good location.

A Sky™ receiver can not be controlled via the TileVision®

- ☞ Refer to the installation instructions on page 12, check the LED on the Remote-Link is lit.
- ☞ If the LED on the Remote-Link is lit, check that the Sky remote control does control the Sky receiver directly.
- ☞ Check that the connections and set up of the Sky receiver, as shown on page 12, are correct. Note the output channel of the Sky™ receiver whilst on the RF OUTLETS page.
Perform ATV Manual Tuning as shown on page 30 and tune to the output channel of the Sky™ receiver's RF2 outlet. Ensure that the TileVision® is set to PAL I.

Green LED but no picture

- ☞ If a timer recording is in progress, the LED will be lit green, but a picture will not be displayed. On completion of the timer recording the LED will revert back to red (standby mode).

Specifications 22" (TV/22/FR2)

Design and specifications are subject to change without notice.

Display	Screen Size	21.5" (547 mm) Diagonal
	Resolution	1920 x 1080 Full HD
	Type	TFT LCD Module with LED Backlight System
	Brightness	250 cd/m ²
	Contrast Ratio	5,000:1
	Viewing Angle	89°/89°/89°/89° - L/R/U/D
	Colour Depth	16.7 M colours (RGB 8 bits)
	Response Time	16 ms
Power	Consumption	65 W max
	Standby	Less than 1 watt
	AC/DC Adaptor Model	A7-90SC18R-V (240375)
	AC/DC Adaptor 4M Lead	Input: 100-240 V~, 2,0 A, 50-60 Hz, Class I Output: 24 V ---, 3,75 A (90 W MAX.)
Dimensions/ Weight	External Dimensions (W x H x D)	572 mm x 376 mm x 75 mm
	Cutout/Recess Required	590 mm x 381 mm and 75 mm
	Mirrored Acrylic Surround	Overall size 616 mm x 420 mm (1.5 mm deep, 30 mm wide)
	Total Weight including Back Box	16.5 Kg

Specifications

Design and specifications are subject to change without notice.

Tuner/ Reception	Digital TV	DVB-T (MHEG-5) MPEG-2, H.264/MPEG-4
	Analogue TV	PAL-BG, I, DK, L/SECAM-BG, I, DK, L
Audio	Channels	DTV 600, ATV 100
	Output	8W + 8W @ 8Ω
Connectivity	Features	Surround Sound, Treble and Bass Controls
	Aerial Input	75 ohm coaxial
	HDMI	3 x HDMI Ports 480i, 480p, 576i, 576p, 720p, 1080i, 1080p
	Component (Y,Pb,Pr)	480i, 480p, 576i, 576p, 720p, 1080i, 1080p
	SCART	Full Scart
	PC RGB (D-sub) Format	Up to 1920 x 1080 @ 60HZ
	PC RGB (D-sub) Colour	16 Bit, 24 Bit, 32 Bit
	Composite (CVBS)	1.0Vp-p +/-5%
	Common Interface Port	Additional channels via CAM/Smartcard
	L+R Audio Input	For Component and Composite (CVBS) Audio Input
	PC Audio Input	1 x Stereo Jack Socket for PC Audio Input
	Headphone Out	Headphone
	Control	Speaker
RS-232		Receives RS232 Control Codes from Home Automation/Hotel Systems
Sky™ IR Link		Control of a Sky Box via the TileVision® IR receiver and Aerial cable
RJ12		Command code in and out
3.5mm IR In		For connection to external IR receiver
Loudspeaker	3.5mm IR Out	For connection to external IR emitter
	Loudspeaker	6.5" Single Stereo, Flush Mount, 8 ohm, Water Resistant
	Speaker External Dimensions	240 mm Ø x 95 mm deep
	Speaker Cutout Required	208 mm Ø
Accessories	Speaker Depth	79 mm
	Splashproof Remote Control	Universal Learning, Full Function, complete with battery
	Remote Control Holder	Wall/Tile mount, clear plastic with gel adhesive strip
	Standard Remote Control	Complete with batteries
	Stainless Steel Back Box	Adjustable brackets to allow precise installation flush with tiles/wall
	Mains Power Cord	UK
	AC/DC Adaptor	Complete with detachable 4 meter cord
	AC / DC Adaptor Dimensions	140mm x 65mm x 40mm depth (excluding connecting cables)
Convenience Features	Speaker Cable	4.5 meter, 4 core, colour coded
	Installation and Operating Instructions	Book
	Multi- Language OSD	Dansk, Deutsch, English, Español, Français, Italiano, Magyar, Nederlands, Polski, Portugês, Slovenščina.
	Auto Tuning	DTV and ATV
	Manual Tune	DTV and ATV
	Programme Edit	Allows programmes to be deleted, skipped, or selected as favourites
	Favourites List	Favourite channels can be stored and accessed in a favourites list
	EPG	8 day Electronic Programme Guide
	Picture Mode	Standard, Mild, Dynamic, User
	Sound Mode	Standard, Music, Movie, Sports, User
	Aspect Ratio Control (ARC)	Auto, Zoom 1, Zoom 2, 16:9, 4:3
	AVL	Auto Volume Leveller
	Subtitles	Switchable, as available from the broadcaster
	Digital Text	MHEG 5 – Interactive text via the red button
	Hotel Mode	Analogue Teletext
Volume Limit		Set maximum volume limit
Input Selection		Selects which Inputs will be available on the Input Menu
Input Priority		Selects which Input will be the default when the TileVision® is turned on
Menu Button Disabled	Menu button can be disabled to prevent access to menus by hotel guest	

TileVision is a Registered Trademark ©2001

TileVision is manufactured in the UK by:

Porter Lancastrian Limited
Lower Healey Business Park
Froom Street
Chorley
Lancashire
PR6 9AR
UK

Recess Dimensions

22" TileVision

590mm x 381mm x 75mm depth
from the front face of the tiles.

Speaker Dimensions

External Dimensions	240 mm Ø x 95 mm deep
Cutout Required	208 mm Ø
Speaker Depth	79 mm

Power Supply Dimensions

140mm x 65mm x 40mm depth
excluding connecting cables.



PORTER LANCASTRIAN LIMITED
WWW.TILEVISION.TV