



# Automatic Door Operator

## AD500

### Convenient, Reliable, Versatile



**AD500**  
Automatic Door Operator



**OPB-500AD**  
Operation Controller  
(Included)

Provides easy selection of operation modes. ANSI size. Supplied with back box.



100 to 240  
VAC Input

Sliding Arm  
Operation

Easy  
Access

Application  
Versatility

The AD500 automatic swing door operator offers the most simple and convenient solution for residential, commercial, or institutional applications where opening doors manually would be difficult or laborious. Ideal for environments where doors must be opened without contact for hygiene reasons or as disability entrance solutions, such as restrooms, hospitals, labs, or healthcare facilities.

## Standard Features

### Anodized Aluminum Housing

Constructed of anodized aluminum alloy cover to accommodate interactive components and operating conditions.

### Battery Convenience

Can be activated by battery power for continuous operation in case of power failure.

### Safety Sensor Integration

Used with door mounted infrared presence sensors for safety.

### Electromechanical Design

Operates smoothly and quietly by opening with motor and closing with motor and spring.

### Flexible Operation

Available with **Automatic**, **Manual**, **Hold-Open**, and **Push & GO** function which can be internally controlled by switches or externally operated by PBT-020B-AD mode controller.

### Adjustable Functions

Simple adjustment of opening and closing speed, hold-open time, backcheck and latchcheck position, and opening angle.

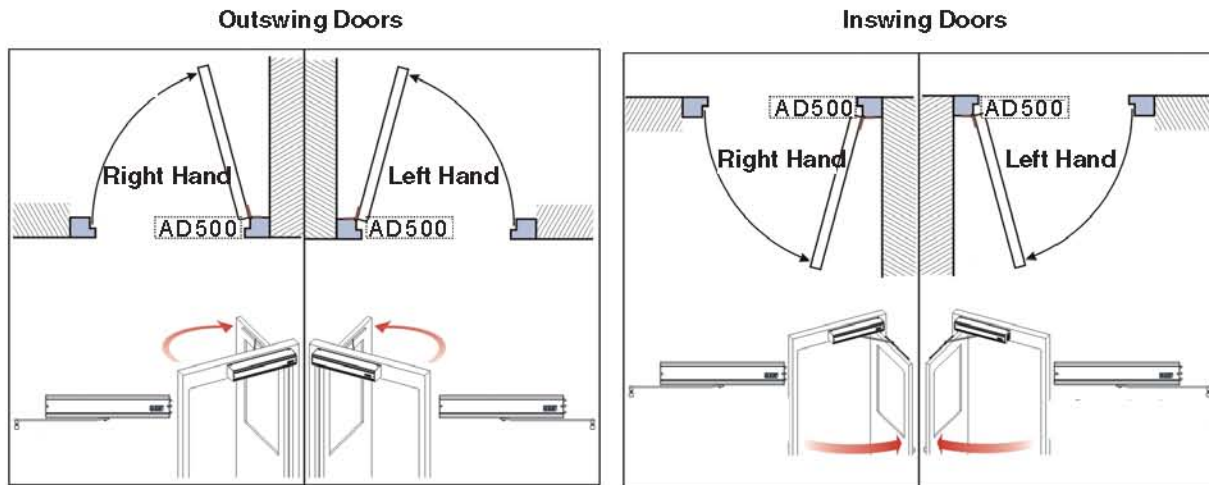
## Compliance

UL/CUL 325, EN 61000-3-2, EM 61000-3-3, EN 61000-6-1, EN 61000-6-3, IEC 61000-4-2 ~ IEC 61000-4-6, IEC 61000-4-8, IEC 61000-4-11, EN 60950-1

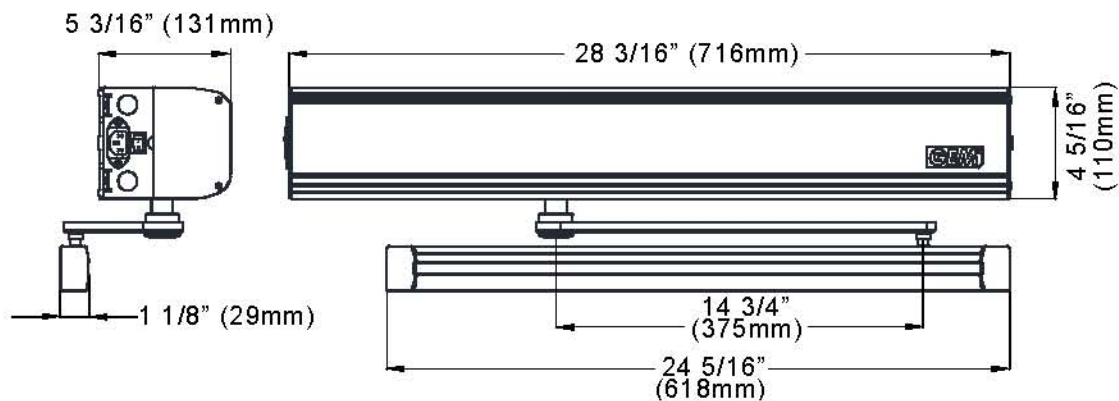


## Non-Handed Installation

Designed with application flexibility in mind, the AD500 is suitable for right or left handed doors and can be installed on either side of the door header for inswing or outswing (push or pull) application.



## Dimensions



## Specifications

<b>Power Input</b>	Voltage: AC100V~AC240V±10%; Current: 60 VDC, Max. 3.2A,
<b>Motor</b>	60 VDC, 2A Max.
<b>Electric Lock Hardware</b>	24 VDC, 250 mA Max.
<b>Adjustable Timers</b>	Opening Speed, Closing Speed, Backcheck/Latchcheck Position
<b>Standard Control Inputs</b>	Activation, Safety Device Input, 24 VDC Battery Input
<b>Switch Functions</b>	DIP Switches: Automatic, Manual, Push & Go, Hold-Open Time (3, 10, 20, 30 seconds) Power On/Off switch
<b>Operation Controller</b>	Functions: Automatic, Manual, Push & Go, Hold-Open, Activation Dimensions: 79 (W) x 125 (H) x 45 (D) mm (Surface); 79 (W) x 125 (H) x 4 (D) mm (Mortise) Included: Stainless steel faceplate, 3 mm cable, tamper resistant security screws, back box
<b>Door Specs</b>	Maximum Opening Angle: 120° Minimum of Door Width: 29 1/2" (750 mm) Door Height: 110 1/4" (280 cm) Door Weight: 60 ~150 kg

## Warranty

The product is warranted against defects in material and workmanship while used in normal service for a period of 3 years from the date of sale to the original client. The GEM policy is one of continual development and improvement; therefore GEM reserves the right to change specifications without notice.

# Optional Accessory

## IR-SSS-5S1

### Monitored Infrared Safety Sensor



#### Features

- Recommended when installing door operators
- Six spot, 800 – 1000 mm, infrared safety curtain with 1 PCB unit
- Easy installation and adjustment
- Safety beams can be focused very close to the ground for maximum safety
- Available in 360 mm length and enclosed in robust housing
- Complies with EN16005 European standard



#### Operator with IR-SSS-5S1

Infrared safety sensors are used to detect all static and moving objects within their detection range. The **IR-SSS-5S1** safety sensor is designed to provide safety protection for automatic swing doors. It combines the active infrared technology and Position Sensitive Detection (PSD) technology to ensure precise detection. It can be mounted on either the pull or push side of the door and serves as an externally and internally monitored safety system.

#### Technical Data

<b>Installation Height</b>	2.6m (8.53ft) Max
<b>Detection Method</b>	Infrared Presence Detection with P.S.D. distance measurement
<b>Pattern Adjustment</b>	Beam Angle Adjustment: 5° / 10° / 15° / 20° / 25° Detection Distance Adjustment: Dead Zone, 50-500mm
<b>Detection Range</b>	0 ~ 2.5m (0 ~ 8.2ft) Max
<b>Presence Timer</b>	Infinity
<b>Power Supply</b>	AC/DC 12 ~ 24V ± 10%
<b>Power Consumption</b>	AC12V : 1.7VA, AC24V : 2.3VA (per each PCB unit) DC12V : 95mA, DC24V : 55mA
<b>Output Relay</b>	Relay contact: DC50V 0.1A Non Voltage 1C
<b>Dimensions</b>	360mm (W) x 45mm (H) x 45mm (D)
<b>IP Rating</b>	54
<b>Weight</b>	Approx. 350g (0.77 lbs)

# AD500 Automatic Door Operator

## Single Door Application



### 3 Electromagnetic Lock



**EM-NH300M**  
Slide-in mounting plate design

### 4 Electric Dropbolt



**EB200NLW-32**  
Door position sensor and adjustable sensor magnet included

### 5 Microwave Motion Sensor



**MCS-3H-KB02**  
Large detection area & easy installation

### 6 Proximity/Keypad Reader



**DG-120**  
ANSI size, 49+50 user digital keypad



**DG-120R**  
ANSI size, 2000 user proximity reader

### 1 Automatic Door Operator



**AD500**  
Operates from 100 to 240 VAC

### 2 Infrared Safety Sensor



**IR-SSS-5S1**  
Six spot, 800-1000 mm wide, infrared safety curtain with 1 PCB unit

### 7 Operation Controller



**OPB-500AD**  
Operation mode selector & Activation

### 8 Exit Button



**PBT-925BLED**  
Illuminated Push Plate Exit Button



**LHS-250**  
Elbow Exit Button



**HARLE**  
PHILIPPINES  
An ISO 9001:2015 Certified Company



**GEM**

Unit 408 SEDCCO Building, Rada Street, Makati City 1229  
Tel. No. 8892 - 8989 \* Fax No. 8892-1688  
Web: www.harlephils.com E-Mail: sales@harlephils.com