

GERMCLEAN™ UV-C HIGH POWER AIR PURIFICATION SYSTEM
Model UVC-1081
Instruction Guide



UVC-1080 HIGH POWER FLOOR STANDING AIR PURIFICATION SYSTEM

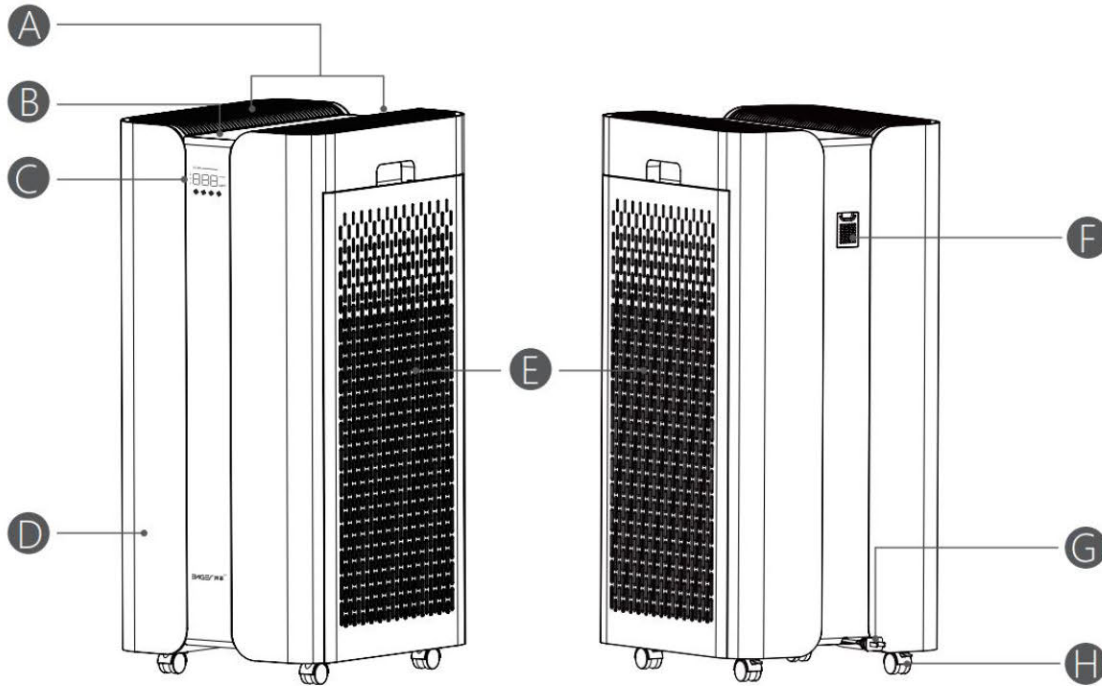


Content

Description	1
Working Principle	4
Before Use	5
Instructions for Use	6
Remote Control Instructions	7
Maintenance	8
Safety Precautions	9
Important Matters	9
Storage Conditions	10
Common Malfunctions	10
Product Configuration and Parameters	11
Warranty	13



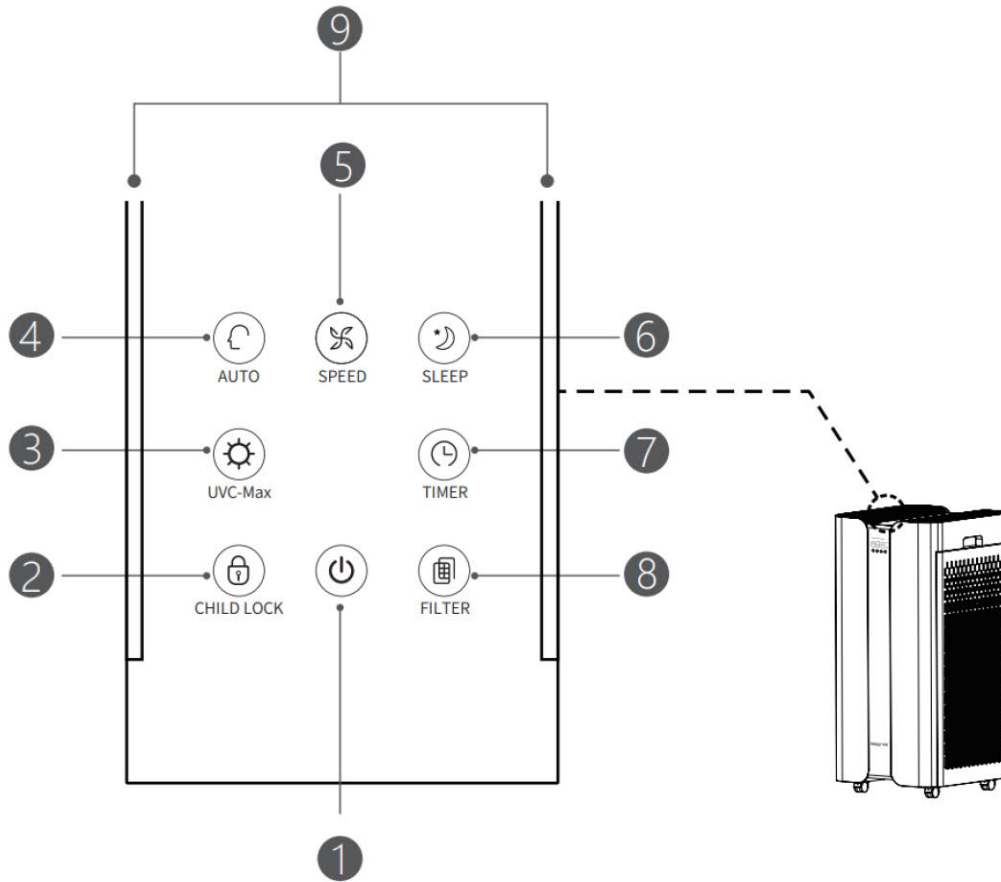
Description



- A Air Outlet
- B Control Panel
- C Display Panel
- D Body
- E Air Inlet
- F Sensor
- G Power Cord
- H Universal Wheel

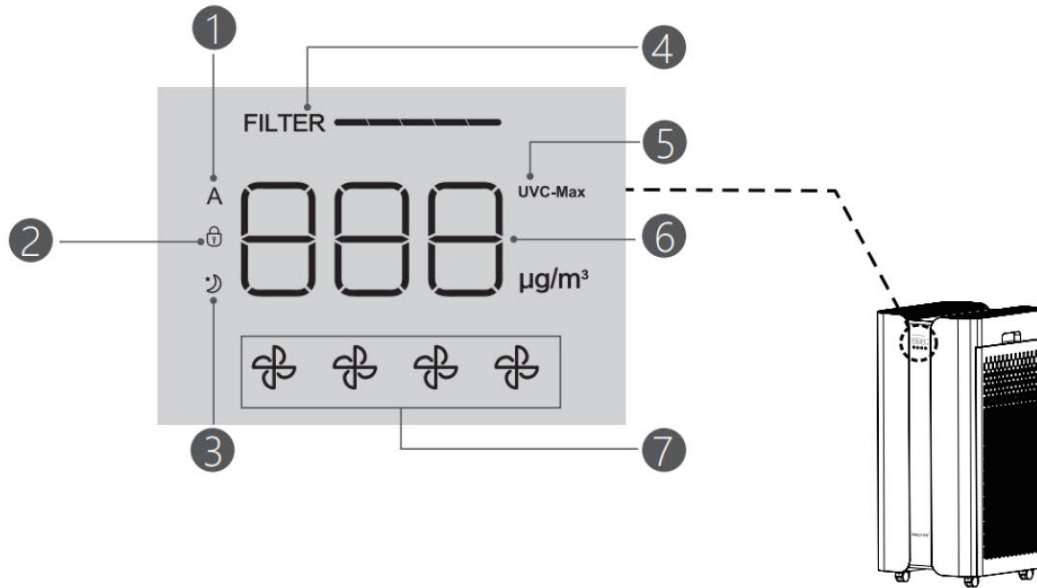


OPERATION MANUAL



- ① Power Button
- ② Child lock Button
- ③ UVC-Max Disinfection
- ④ Auto Button
- ⑤ Wind Speed Adjustment
- ⑥ Sleep Button
- ⑦ Timing Button
- ⑧ Filter Reset
- ⑨ Air Quality Indicator

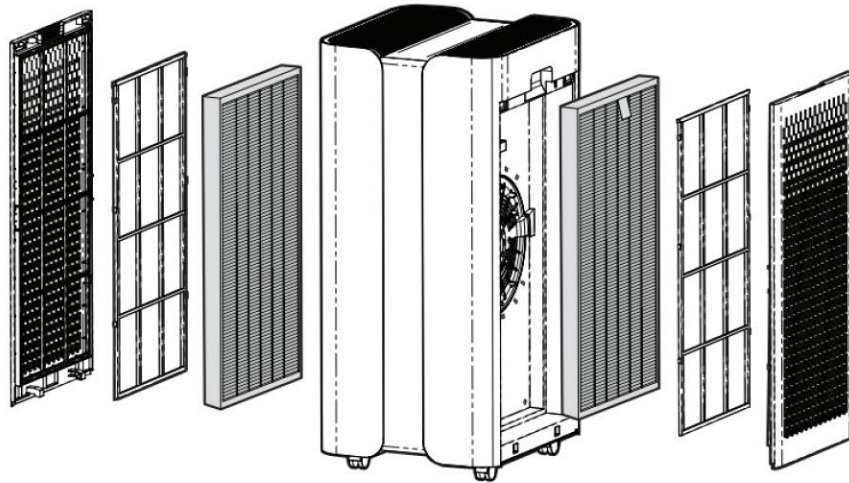




- ① Smart Function Indicator
- ② Child Lock Function Indicator
- ③ Sleep Function Indicator
- ④ Filter Life
- ⑤ UVC-Max Disinfection Function Indicator
- ⑥ Digital Display
- ⑦ Wind Speed Function Indicator



Product Configurations & Parameters



		Product Name:	Air Purifier
		Rated Voltage:	220-240V
Rated Frequency:	50/60Hz	Rated Power:	105W
Noise:	26~55dB(A)	Net Weight/Gross Weight:	16/19KG
Overall Size:	370*400*796mm	Material:	ABS
Application Area:	<120m ²	CADR (Particulates) :	1000m ³ /h
CADR (Formaldehyde) :	200m ³ /h	Sterilization Efficiency:	>99%
Particulate Removal Efficiency:	>99.99%	TOVC Removal Rate Efficiency:	>98%
H1N1 Influenza Virus Removal Efficiency:	>99.9%	Staphylococcus Aureus Removal Efficiency:	>99.99%
E. coli Removal Efficiency:	>99.99%	Serratia Marcescens Removal Efficiency:	>99.99%



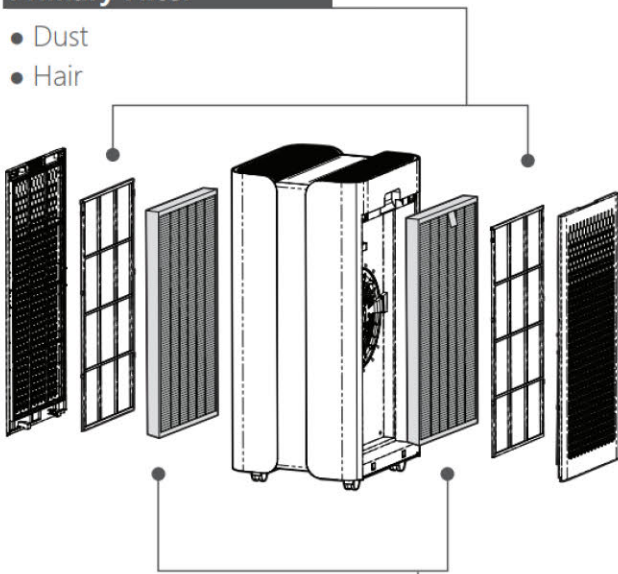
Principles of Disinfection

This air purifier adopts Anti-Online high-efficiency filter assembly and UVC-Max LED ultraviolet module. H13 high-efficiency filter can intercept 99.9% of aerosols and 0.1 μ m-10 μ m particles carrying bacterial pathogens. Based on the Anti-Online patented technology platform, the medium is loaded with a polymer photocatalyst, and ultraviolet light and photocatalyst produce a photocatalytic reaction to generate photoactive oxidized groups. These photoactive oxidized groups can strongly decompose the cell walls of bacterial viruses and coagulate proteins, thus completely kill Bacteria and viruses can effectively remove formaldehyde, VOC, allergens, mites, etc., and solve the problem of gaseous pollutants and microbial pollutants in the environment.

The patented UVC-Max technology integrates 24 pcs UVC-Max C-band LED disinfection lamp beads and irradiates the filter and airflow to achieve targeted irradiation and disinfection of the passing airflow and the filter that intercepts small particles attached to pathogens. The C-band UV lamp can destroy the molecular structure of DNA or RNA in the cells of the pathogenic bacteria, let the bacterial cells die, and achieve the effect of disinfection and sterilization.

Primary Filter

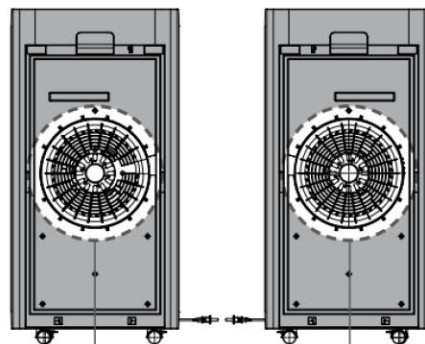
- Dust
- Hair



Anti-Online Composite Filter

H13 High Efficiency Filter
Anti-Online Sterilization and Aldehyde Removal Media

- Volatile Organic Gases (VOCs)
- Odor
- Second-hand Smoke
- Fine Particles (PM2.5)
- Pollen
- Mites
- Allergens
- Bacteria / Virus



UVC-Max Targeted Disinfection Module

- Bacteria
- Virus

Idea: An A-band indicator is integrated in UVC-MAX, Used to observe whether the lamp beads are operating normally, the side of the fuselage is dark there may be faint light in the environment, which is a non-radiative light source.



Instructions Before Use

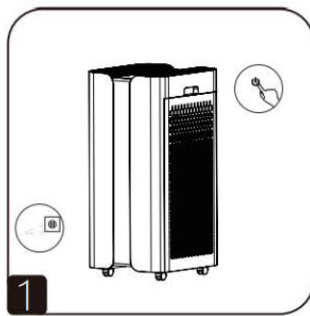
Select the room where the air needs to be purified, and place the air purifier on a stable floor or table in the room.

For free air circulation, avoid placing the air purifier behind curtains, under windows, near furniture or shelves, or near any obstacles position, at least 50cm of free space should be reserved on each side of the air purifier.

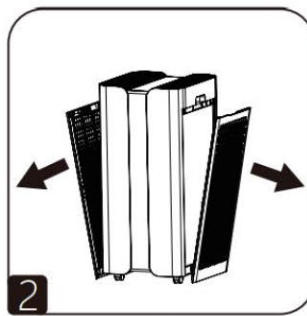
Please confirm that the filter bag inside the machine has been removed before the first use.

Please also confirm:

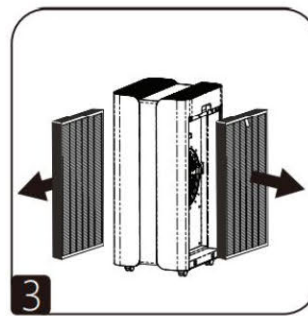
- The voltage at your home matches the voltage marked on the device;
- Your device can be connected to an ungrounded power plug. This device is a Class II appliance (Double insulation);
- The air inlet and outlet are completely unobstructed;
- Strainer and air inlet are installed correctly (See as below);
- If the air inlet is not installed properly, the device will not work properly.
- Instructions for removing the filter packaging and replacing the filter after the first use (See as below pic 1 - 6).



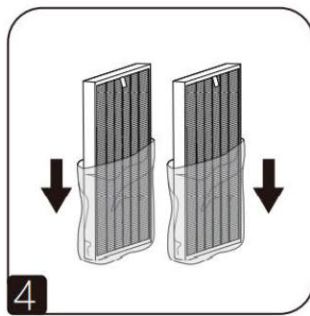
1 Turn off the power after pressing the power button.



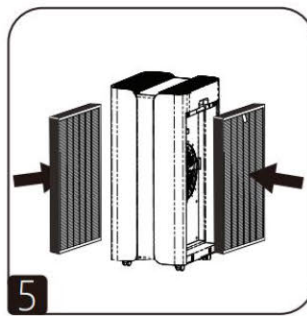
2 Open the panels of two side.



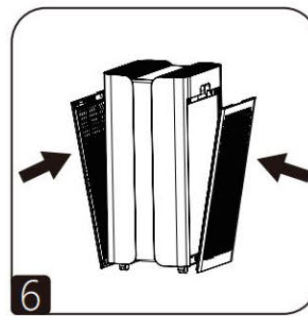
3 Remove all filters inside the product.



4 Remove all the packages from the filters.



5 Replace the new filters as the picture.



6 Put back the side-panels.



Instructions for Use


 **Power Switch**

Connect the power supply, the purifier can be turned on or off. Turn on the air purifier sensor system of the disinfection machine. After the digital tube frame of the operation panel flashes for about 30 seconds, the air purifier sensor system completes the detection. Through the operation panel digital display and air quality indicator "blue, green,yellow,red three colors to inform the indoor air quality status;

Digital Display	Color	Air Quality
0-35	Bule	Good air quality
36-75	Green	Excellent air quality
76-150	Yellow	Average air quality
151Over	Red	Poor air quality

 **Child Lock Mode**


Touch the child lock button to turn on, the corresponding indicator on the display panel lights up. In this mode, other buttons on the control panel will not be available. Press and hold the child lock button for 3 seconds to close the child lock mode.

 **UVC-Max Disinfection Function**


Touch the UVC-Max button to turn on the UVC-Max disinfection function, and the corresponding indicator on the display panel lights up. The built-in 24 pcs UV lamp beads start to work, kill bacteria and viruses in the filter and airflow, and touch the UVC-Max button again to close.

This appliance contains a UV-C emitter.

Unintended use of the appliance or damage to the housing may result in the escape of dangerous UV-C radiation. UV-C radiation may, even in little doses, cause harm to the eyes and skin.Appliances that are obviously damaged must not be operated.

 **Smart Mode**

Touch the smart key to turn on, and the corresponding indicator on the display panel lights up. In this mode, the device will automatically adjust the wind speed according to the air quality data detected by the sensor, which is suitable for most application scenarios.

 **Wind Speed Adjustment**


You can touch the wind speed button to select the purification speed, and the wind speed indicator on the corresponding wind speed display panel will light up accordingly.

1st gear: At this time, the purification wind speed is small, suitable for the situation where the air quality is very good;

2nd gear: The purification wind speed is slightly increased at this time, which is suitable for the situation of good air quality;

3rd gear: At this time, the purification wind speed is larger, which is suitable for most polluted indoor situations;

4th gear: At this time, the purification wind speed is the largest, suitable for indoor conditions with poor air quality.

 **Sleep Mode**

Touch the sleep button to turn on, the corresponding indicator on the display panel lights up. In this mode, the device will run at the 1st gear speed, at the same time, the various indicator lights of the device will go out, and touch the sleep button again to turn off.





Timing Function

When the air purifier is working, press the timer key to select the required working time (The corresponding time will be displayed on the 1 ~ 12h display panel), and the air purifier will automatically stop working after the set time.



Filter Reset

When the service life of the machine filter expires, the filter life bar drops to the last grid and flashes, prompting to replace the filter; after the filter is replaced, long press this button and the filter life bar restores the full grid. The filter reset is successful.

Remote Control Instructions

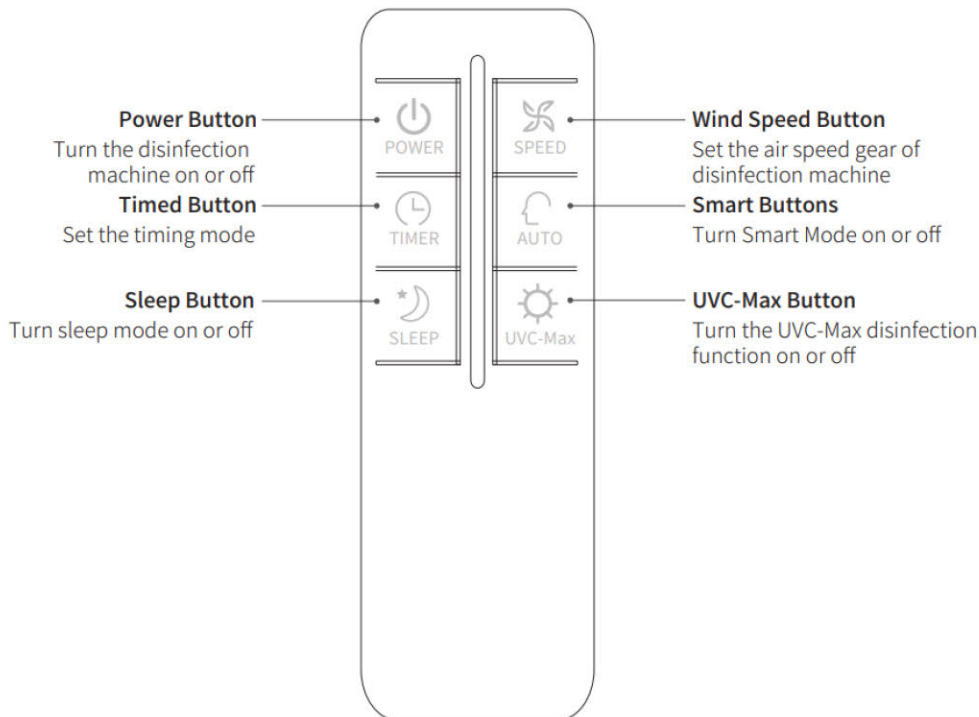
When the device is delivered from the factory, the remote control is pre-paired and can be used directly. If the remote control cannot be used, it needs to be re-paired. The pairing steps are as follows:

Step 1: The first step, the device is in standby state;

Step 2: In the second step, press the UVC-Max button and the child lock button on the machine at the same time for 3 seconds to hear the sound of "drop", and then the display panel appears OFF. Do not release the button at this time;

Step 3: Press the power button on the remote control and hear two beeps, which means the pairing is successful.

Note:The random remote control does not contain batteries. To use the remote control, you need to provide two AAA batteries.



Safety Precautions

Please read this manual carefully before using the product, and keep this manual in a safe place.

You need to read these instructions carefully and follow these suggestions:

- For your safety, this product complies with applicable standards and regulations (Low voltage, electromagnetic compatibility, environmental protection ...);
- This product is not suitable for persons with physical, sensory, or mental disorders (including children), or those who lack experience or relevant knowledge, unless Supervised by someone responsible for their safety, or given prior guidance on the use of the machine;
- Children should be supervised to ensure that they do not play with the product;
- This product is not intended for use by children under the age of eight, persons without relevant experience and knowledge, or persons with physical, sensory, or mental disabilities, except they must be trained or instructed on how to use this product safely and know the dangers involved with this product;
- If the power cord is damaged, please do not use this product. If the power cord is damaged, it must be repaired by the service department of manufacturer, or replaced by the specialized personnel in similar departments;
- Children must not clean and maintain the product without supervision;
- When performing maintenance on this product, refer to the "Maintenance" section in the manual;
- Keep the power cord out of reach of children under eight years of age;
- This product is designed for indoor use and should not be used in industrial applications;
- If the product is damaged due to improper operation, the warranty card is invalid;
- Do not operate the product in dusty, humid or fire-hazardous areas;
- Before use, always ensure that the electrical plug and power cord are good;
- Do not insert foreign objects (Such as needles) into the device;
- Do not pull on the power cord or device, or even unplug the plug from the outlet;
- Before use, extend the length of the power cord to a suitable length.
- Replacing UV-C emitter is not allowed.



Common Malfunctions

Do not disassemble the machine without permission; improper repair may cause danger to the user! Before contacting the after-sales service center, please check the following troubleshooting table:

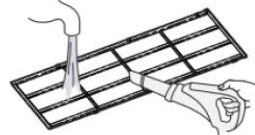
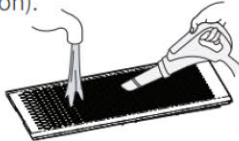
Malfunction	Examination	Approach
Can not start	Is the power plugged in?	Plug in the power supply at the correct voltage.
	Are all the indicators not lit?	Press the switch button to select the desired function
	Is there a power outage?	Device available when power is restored.
	Is the rear case closed?	Install the rear case properly.
Airflow is greatly weaker than before	Does the filter need to be replaced?	Check if the filter has reached the replacement cycle and replace the filter if necessary.
Odor from the air outlet	Does the filter need to be replaced?	
Wind speed cannot be changed automatically	Whether it is manual mode?	Choosing the right operating mode.



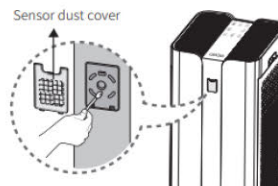
Maintenance (once every two month)

Before performing any maintenance operations, be sure to turn off the power and turn off the machine by pressing the power.

- The air inlet can be cleaned with water washing and vacuuming equipment (After washing, it must be completely dried before installation).
- The initial effect filter can be cleaned with water washing and vacuuming equipment (After washing, it must be completely dried before installation).



- The casing of the machine can be cleaned with a damp cloth, and the fan grills on both sides of the machine can be cleaned with vacuum equipment;
- The sensor cover can be removed and clean the dust on the sensor hole with a cotton swab.



Important note: Do not wash the machine body, and do not use any abrasive objects to avoid damaging the surface of the device.

Filter Replacement	Filter Operating Frequency	Operation	Frequency
	Anti-Online Composite Filter	Replace	6-12months

This data is calculated based on the use of low-grade purification wind speed, using 8 hours a day; The recommended filter replacement frequency will vary depending on the duration of use and the working environment. The corresponding indicator lights up when the filter needs to be replaced.

Attention! When your air purifier motor stops working, please check if the filter needs to be replaced.

- The filter life bar is reduced to the last grid and flashes, indicating that the Anti-Online composite filter needs to be replaced;

Note:

- *The Anti-Online composite filter cannot be washed or used repeatedly. Do not wash them with water.
- *Replace the filters one by one, please refer to “Before Use” one by one “Instructions for removing the filter package for the first use and replacing the filter after the life of the filter has expired” .

Warm Tips

- If you are allergic or have asthma, avoid touching the used filters;
- Wear gloves when replacing the filter, or wash your hands after replacement;
- Put the used filter in a sealed bag and throw it away to prevent the spread of pollutants.



Important Matters

- Do not cover the air inlet or outlet.
- Do not touch the appliance with wet hands.
- Do not allow any liquid to enter the product.
- Do not use this product in a humid place.
- Do not place this product near a heat source.
- Do not place anything or insert foreign objects on this product.
- Please do not place this product near flammable items or products (Such as curtains, aerosols, organic solvents, etc.)
- Place the product on a stable surface and do not use it on its own or tilted;
- When not using the product for a long time: Use the power to turn off the device and unplug the power plug.
- Turn off the device and unplug it before moving it.
- Remove the plug when assembling or cleaning the device.

Storage Conditions

When not using the air purifier for a long time, please store it in a dry, cool place.



Hazardous Substances & Elements

Part Name	Hazardous Substances or Elements					
	Lead (Pb)	Tribute (Hg)	Cadmium (Cd)	Hexavalent Chromium (Cr (VI))	Polybrominated Biphenyls (PBB)	Polybrominated Diphenyl Ethers (PBDE)
Injection Model	○	○	○	○	○	○
Motor Components	X	○	○	○	○	○
Control Panel	X	○	○	○	○	○
Wire Class	X	○	○	○	○	○
Hardware	○	○	○	○	○	○
Filter	○	○	○	○	○	○
Package	○	○	○	○	○	○

○ It means that the content of the hazardous substance in all homogeneous materials of this part is below the limit requirements stipulated in the GB / T 26572-2011 standard.

X It means that the content of the hazardous substance in at least one homogeneous material of the part exceeds the limit requirements specified in the GB / T 26572-2011 standard.

The information provided in this form is based on the data and test results provided by the supplier. At the current technical level, the use of all harmful substances or elements is controlled as much as possible, and Baige will continue its efforts to reduce the use of these substances and elements through improved technology.

The "environmental use life" of this product is 10 years, and its logo is shown below. The "environmental use life" is only valid when the product is used under normal conditions as described in this manual.



**HARLE HOSPITALITY
EQUIPMENT PHILS., INC.**

Unit 408 SEDCCO1 Bldg., 120 Rada corner Legazpi Sts.
Legazpi Village, Makati City 1229, Philippines
Tel. No. (632) 8892-8989 Fax No. (632) 8892-1688
E-Mail: sales@harlephils.com

www.harlephils.com