



# JVD OASIS Desktop Dispenser

Product Codes: 844 2075

Automatic Dispenser \* Battery Operated \* Stainless Steel 201 \* 3 Output Levels

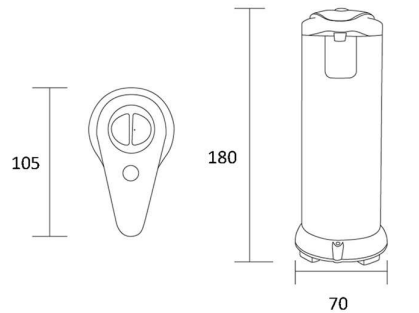


## SPECIFICATIONS

Capacity (ml)	250
Unit flow	At least 1 to 2 ml
Material	Stainless Steel 201
Operations	Runs on 4 x AAA batteries
Soap type	Liquid soap

## DIMENSIONS

Height (mm)	180
Width (mm)	70
Depth (mm)	105



Automatic soap/alcohol sanitizer dispenser



Runs on 4 x AAA batteries



Made of stainless steel 201



3 levels of output settings

For more information about this great product:



Certificate Registration No. 44 100 102044

Unit 408 SEDCCO1 Building, Rada corner Legazpi Streets, Legazpi Village, Makati City  
Tel. Nos.: (632) 8-892-8989 / (632) 8-553-8988 \* Fax No.: (632) 8-892-1688  
E-mail: [sales@harlephils.com](mailto:sales@harlephils.com) Web: [www.harlephils.com](http://www.harlephils.com)